

LEON

Parts Manual



Silver Spreaders

MODELS H425 H575 H655 H755 V425 V575 V655 V755

LEON'S MFG. COMPANY INC.

P. O. Box 5002 135 York Road East Yorkton, Saskatchewan S3N 3Z4
1-800-667-1581
Facsimile: 306-782-1884

E-mail: sales@leonsmfg.com

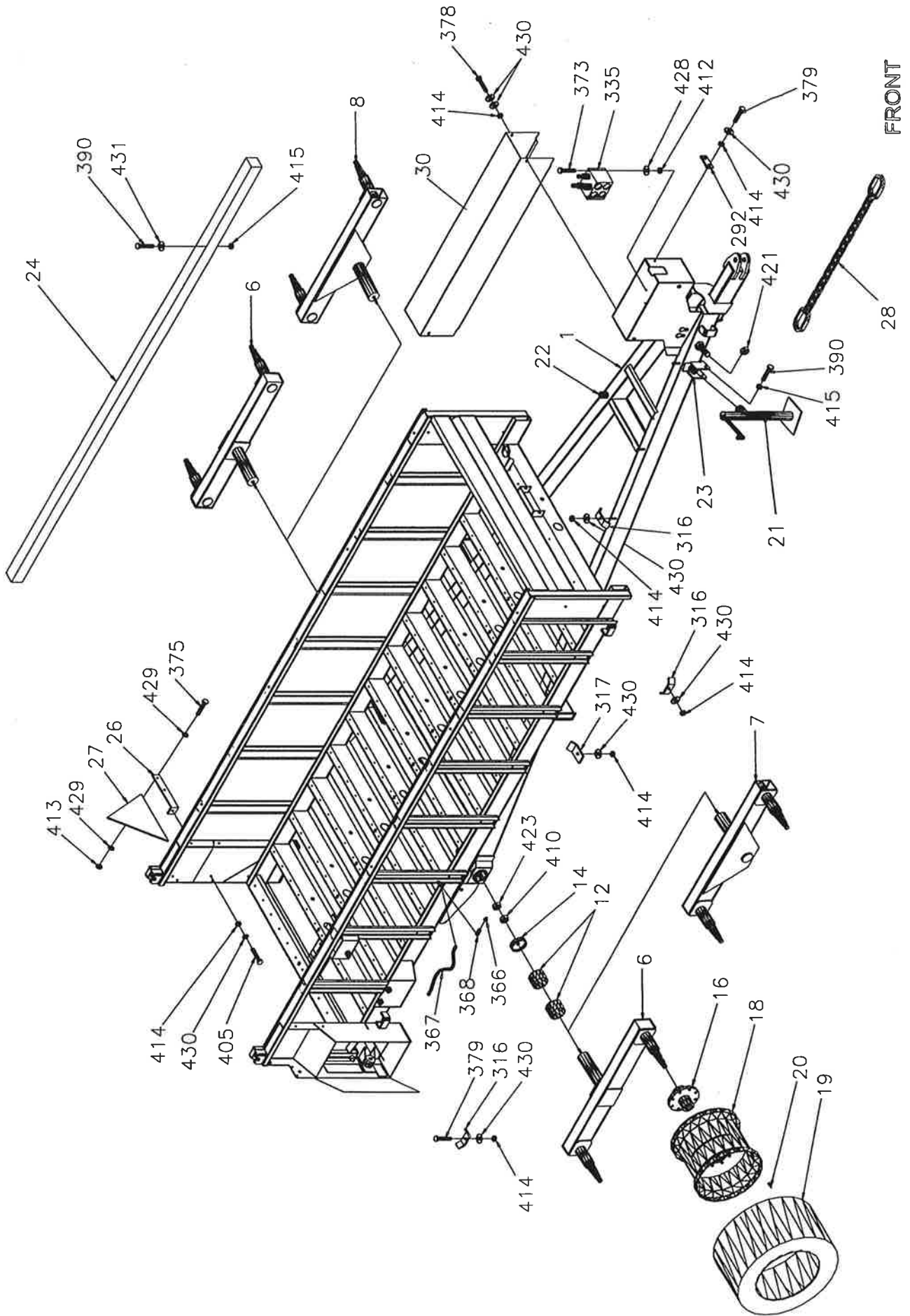
Website: www.leonsmfg.com

TABLE OF CONTENTS

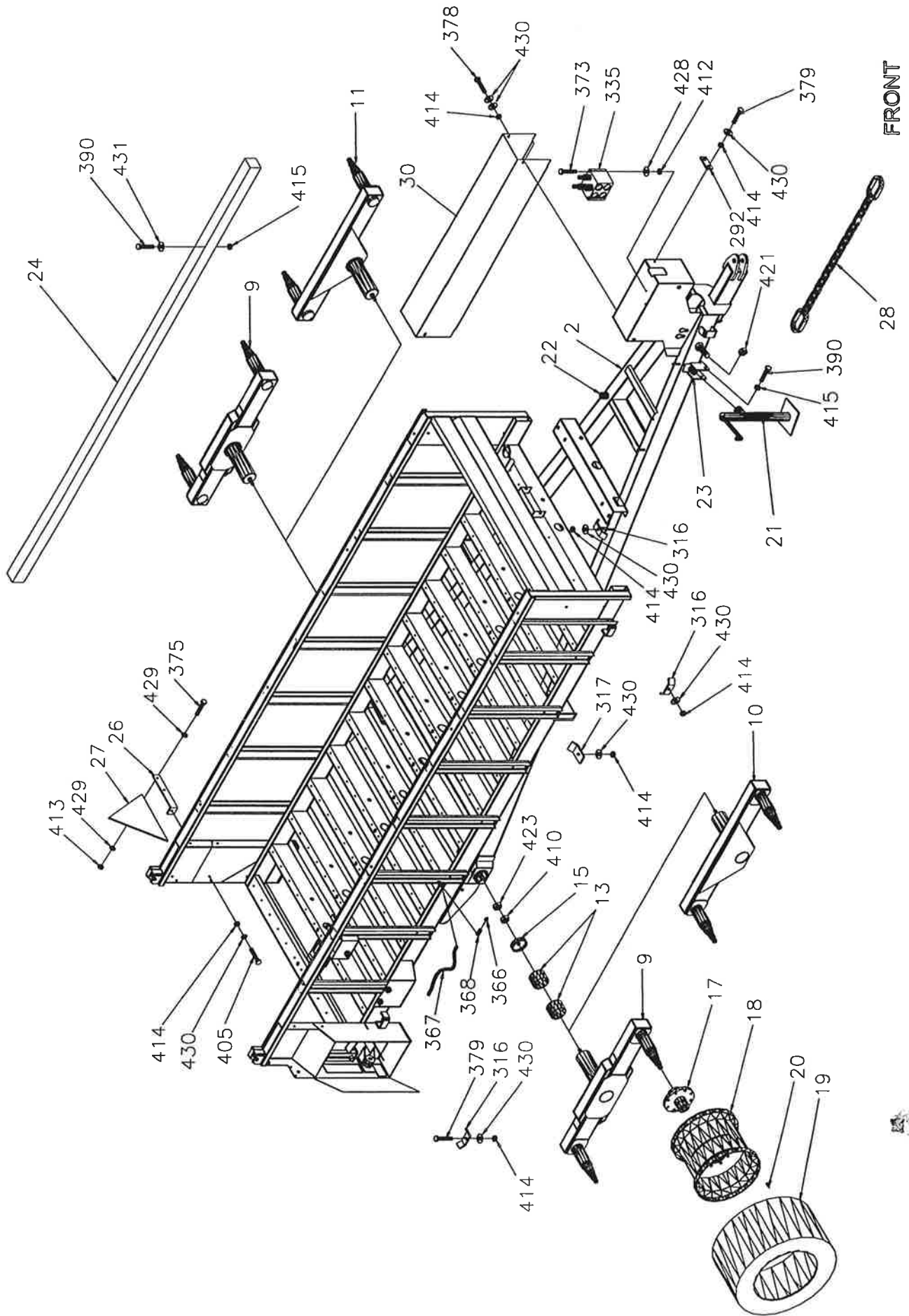
| | |
|--|-----------|
| MAIN FRAME - 425 | P01 |
| MAIN FRAME - 425RS | P02 |
| MAIN FRAME - 575 | P03 |
| MAIN FRAME - 655 / 755 | P04 |
| SAFETY LIGHTS - ALL MODELS | P05 |
| PUSHER / I-BEAM - 425H / 575H | P06 |
| PUSHER / I-BEAM - 425RSH | P07 |
| PUSHER / I-BEAM - 425V / 575V | P08 |
| PUSHER / I-BEAM - 425RSV | P09 |
| PUSHER / I-BEAM - 655H / 755H | P10 |
| PUSHER / I-BEAM - 655V / 755V | P11 |
| PUSHER CYLINDER - 425 / 425RS | P12 |
| PUSHER CYLINDER - 575 | P12 |
| PUSHER CYLINDER - 655 / 755 | P14 |
| BOX LINER - 425 | P15 |
| BOX LINER - 425RS | P16 |
| BOX LINER - 575 | P17 |
| BOX LINER - 655 / 755 | P18 |
| DRIVELINE - ALL MODELS | P19 |
| BEATERS / DRIVE - 425H | P20 |
| BEATERS / DRIVE - 425RSH | P21 |
| BEATERS / DRIVE - 575H | P22 |
| BEATERS / DRIVE - 655H / 755H | P23 |
| BEATER DRIVE - 425V / 425RSV / 575V | P24 |
| BEATER DRIVE - 655V / 755V | P25 |
| VERTICAL BEATERS - ALL MODELS | P26 |
| END GATE - 425 | P27 |
| END GATE - 425RS | P28 |
| END GATE - 575 | P29 |
| END GATE - 655 / 755 | P30 |
| BEATER GUARD KIT - 425 / 425RS / 575 | P31 |
| BEATER GUARD KIT - 655 / 755 | P32 |
| SLURRY PAN - H - BEATERS - ALL MODELS | P33 |
| SLURRY PAN - V - BEATERS - ALL MODELS | P34 |
| AXLE / HUB - ALL MODELS | P35 |
| END GATE HYDRAULICS - 425 / 425RS | P36 |
| END GATE HYDRAULICS - 575 / 655 / 755 | P37 |
| FLOW CONTROL / SEQUENCE VALVE LAYOUT - ALL MODELS (CC) | P38 |
| FLOW CONTROL VALVE LAYOUT - ALL MODELS | P39 |
| FLOW CONTROL / SEQUENCE VALVE LAYOUT - ALL MODELS (CC) | P40 |
| FLOW CONTROL / SEQUENCE VALVE LAYOUT - ALL MODELS (OC) | P41 |
| CYLINDER - END GATE (2 X 17) - ALL MODELS | P42 |
| CYLINDER - PUSH GATE (3.0 / 3.5 X 180) - 425 / 425RS | P43 |
| CYLINDER - PUSH GATE (3.5 / 4.0 X 180) - 575 | P44 |
| CYLINDER - PUSH GATE (4.0 / 4.5 X 180) - 655 / 755 | P45 |
| GEARBOX - MAIN - ALL MODELS (5190) | P46 / P47 |
| GEARBOX - V- BEATERS - ALL MODELS | P48 / P49 |
| GEARBOX - V- BEATERS - 655 / 755 | P50 / P51 |
| PTO DRIVELINE SHAFT - (STANDARD) ALL MODELS | P52 |
| PTO DRIVELINE SHAFT - (OVER-RUN CLUTCH) ALL MODELS | P53 |
| PARTS BREAKDOWN LISTS | P55 |

NOTE: THIS MANUAL APPLIES TO ALL MODELS MANUFACTURED IN 2008 AND LATER FOR UNITS MANUFACTURED EARLIER PLEASE CONTACT THE FACTORY.

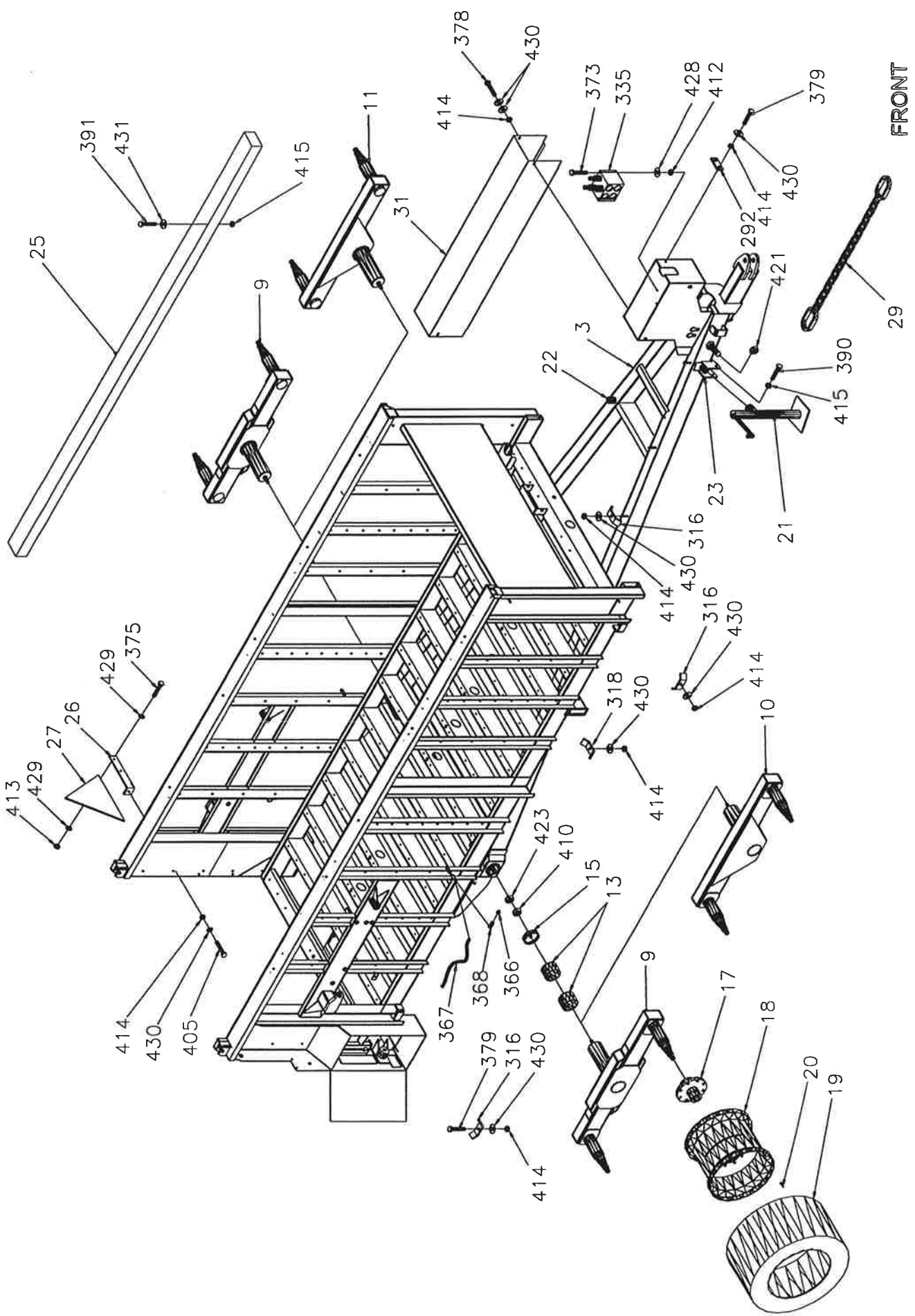
LEON SILVER SPREADER MAIN FRAME - 425



LEON SILVER SPREADER MAIN FRAME - 425RS

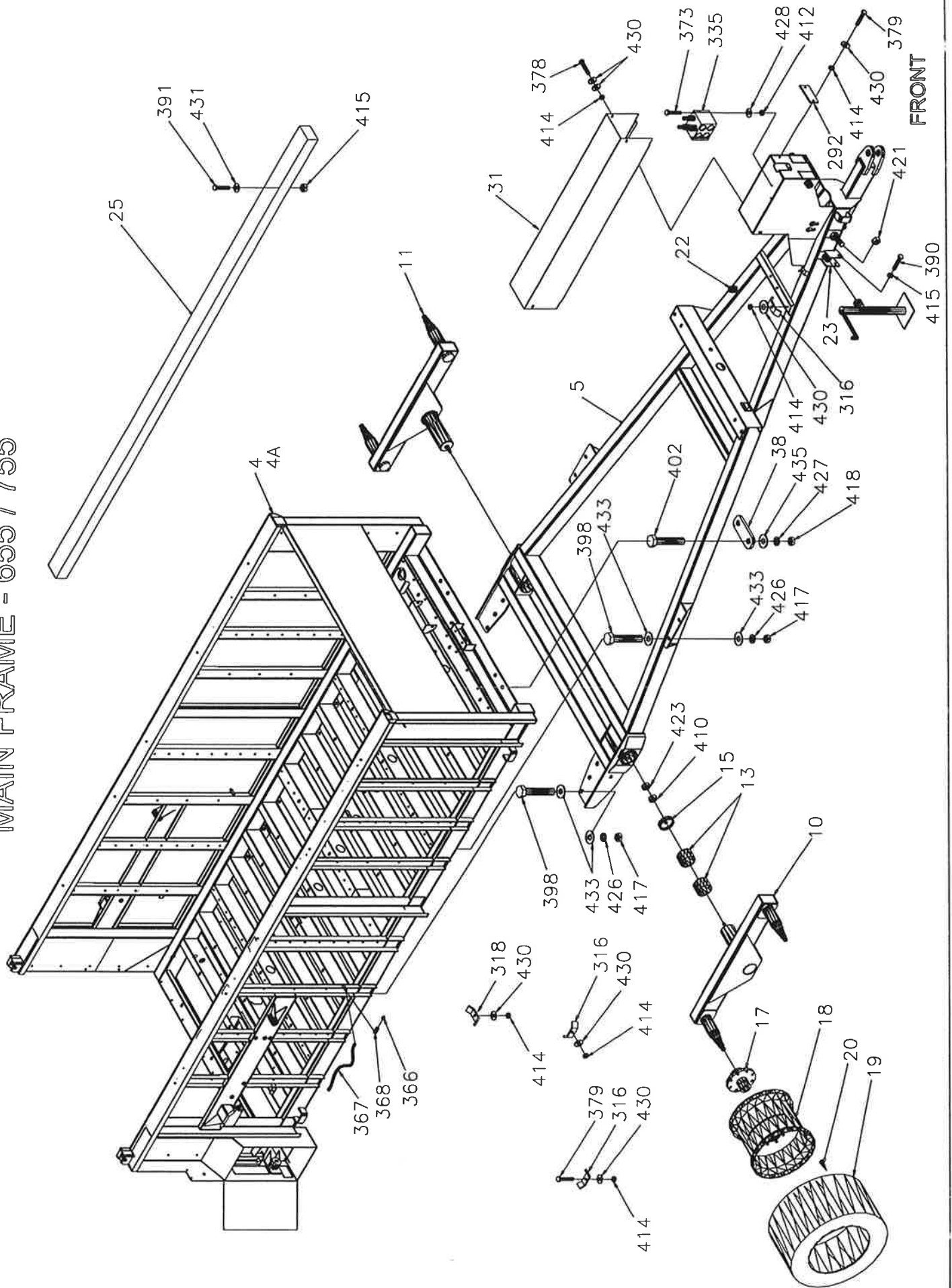


LEON SILVER SPREADER MAIN FRAME - 575

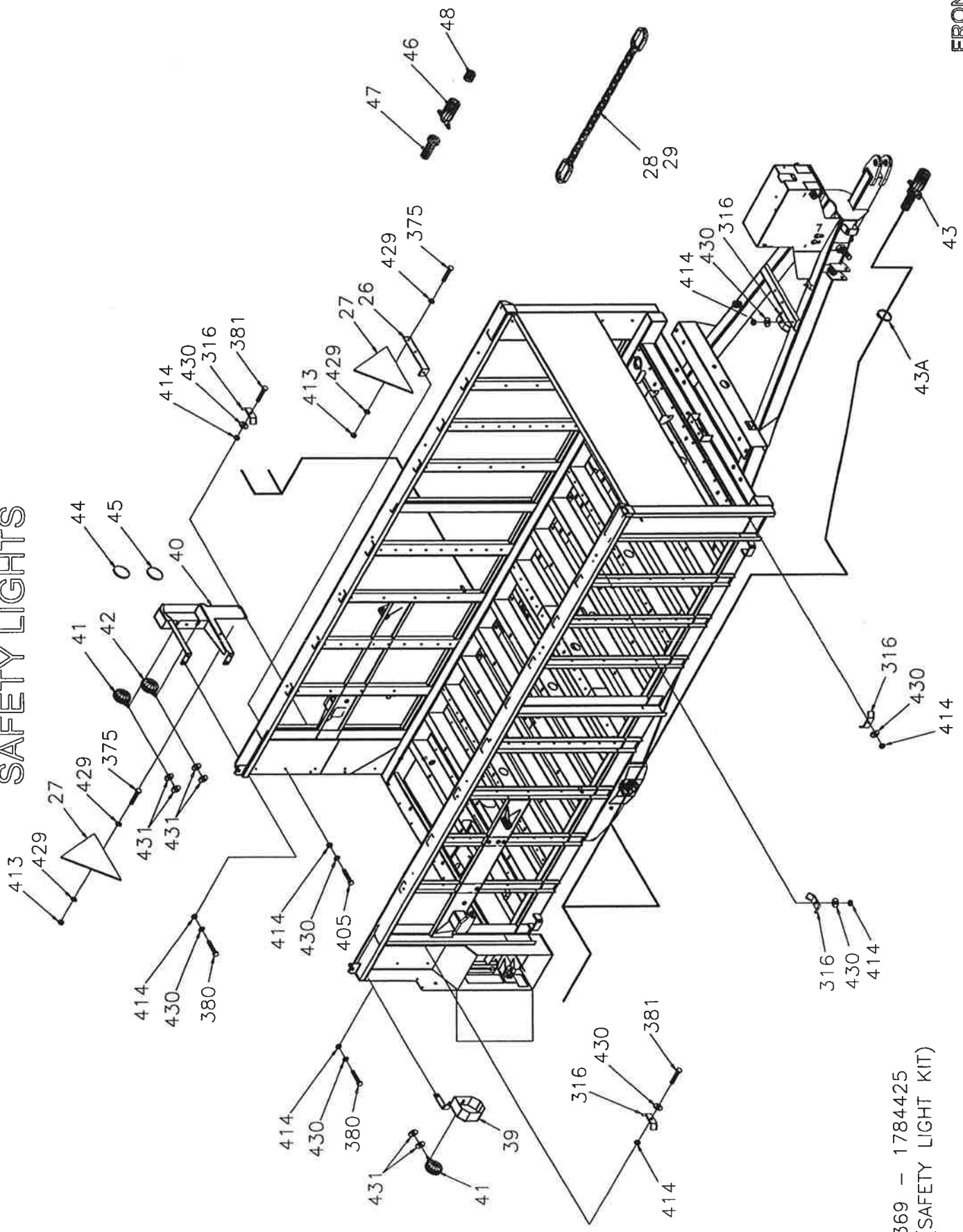


LEON SILVER SPREADER

MAIN FRAME - 655 / 755



LEON SILVER SPREADER SAFETY LIGHTS

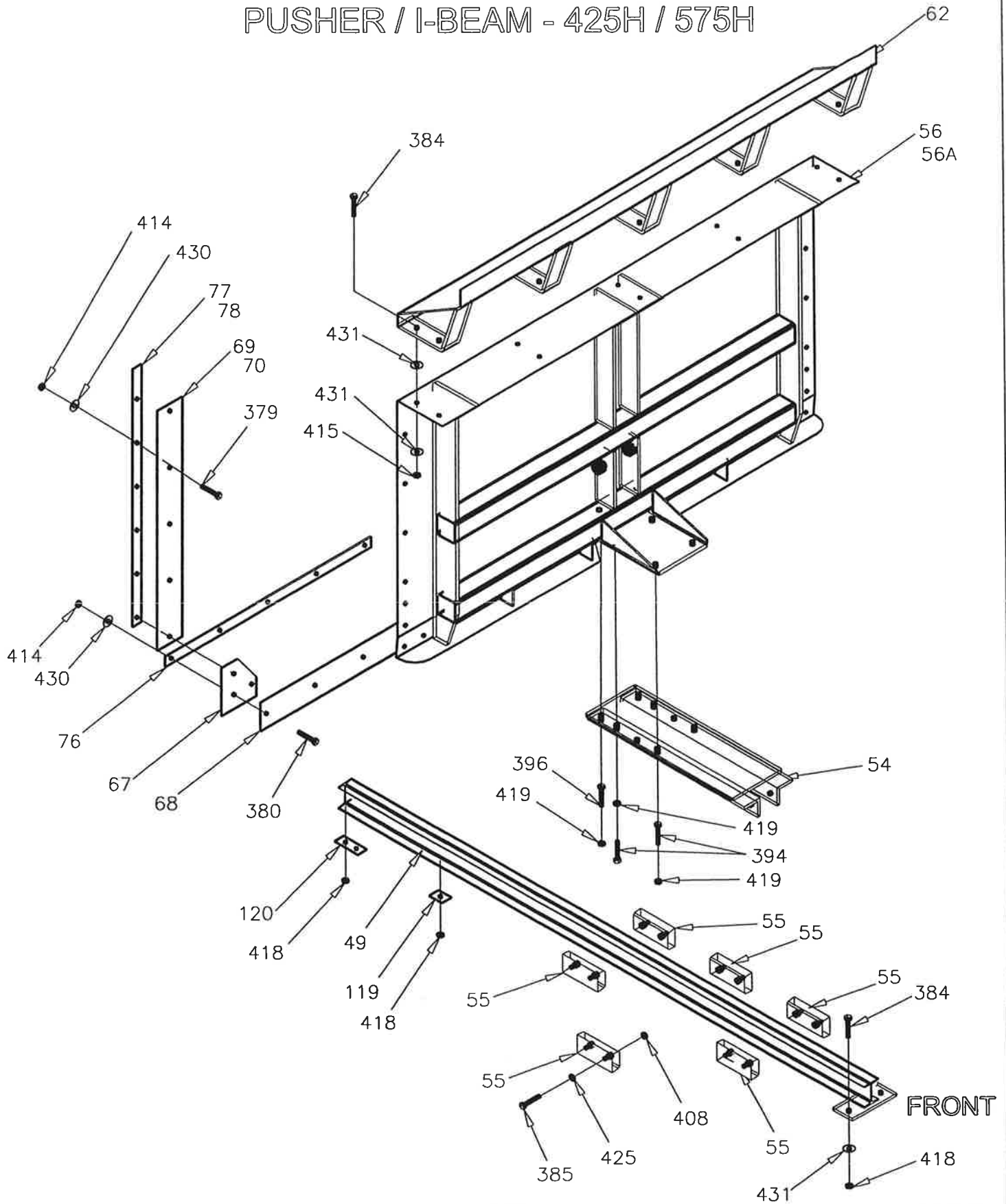


FRONT

369 - 1784425
(SAFETY LIGHT KIT)

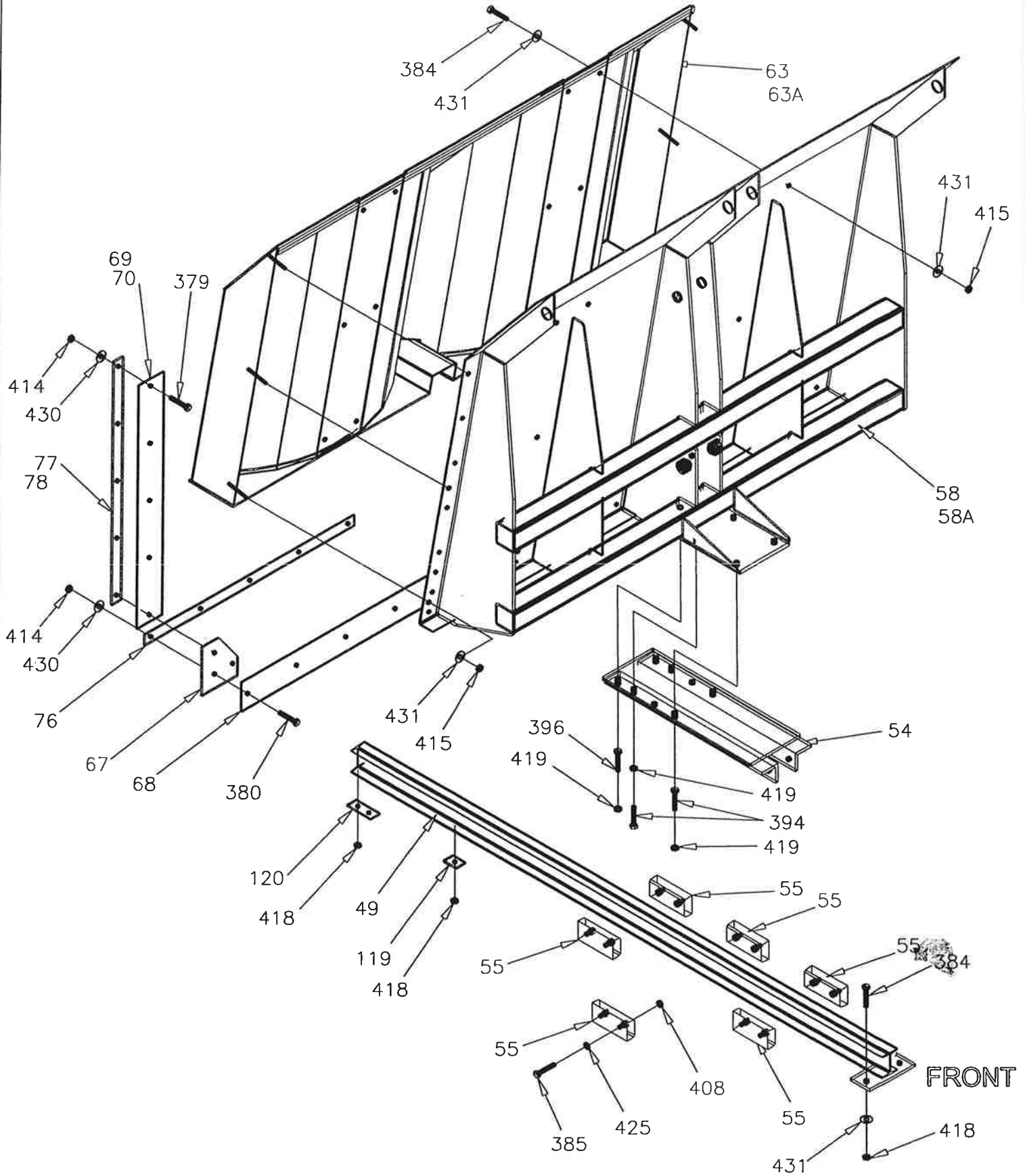
LEON SILVER SPREADER

PUSHER / I-BEAM - 425H / 575H

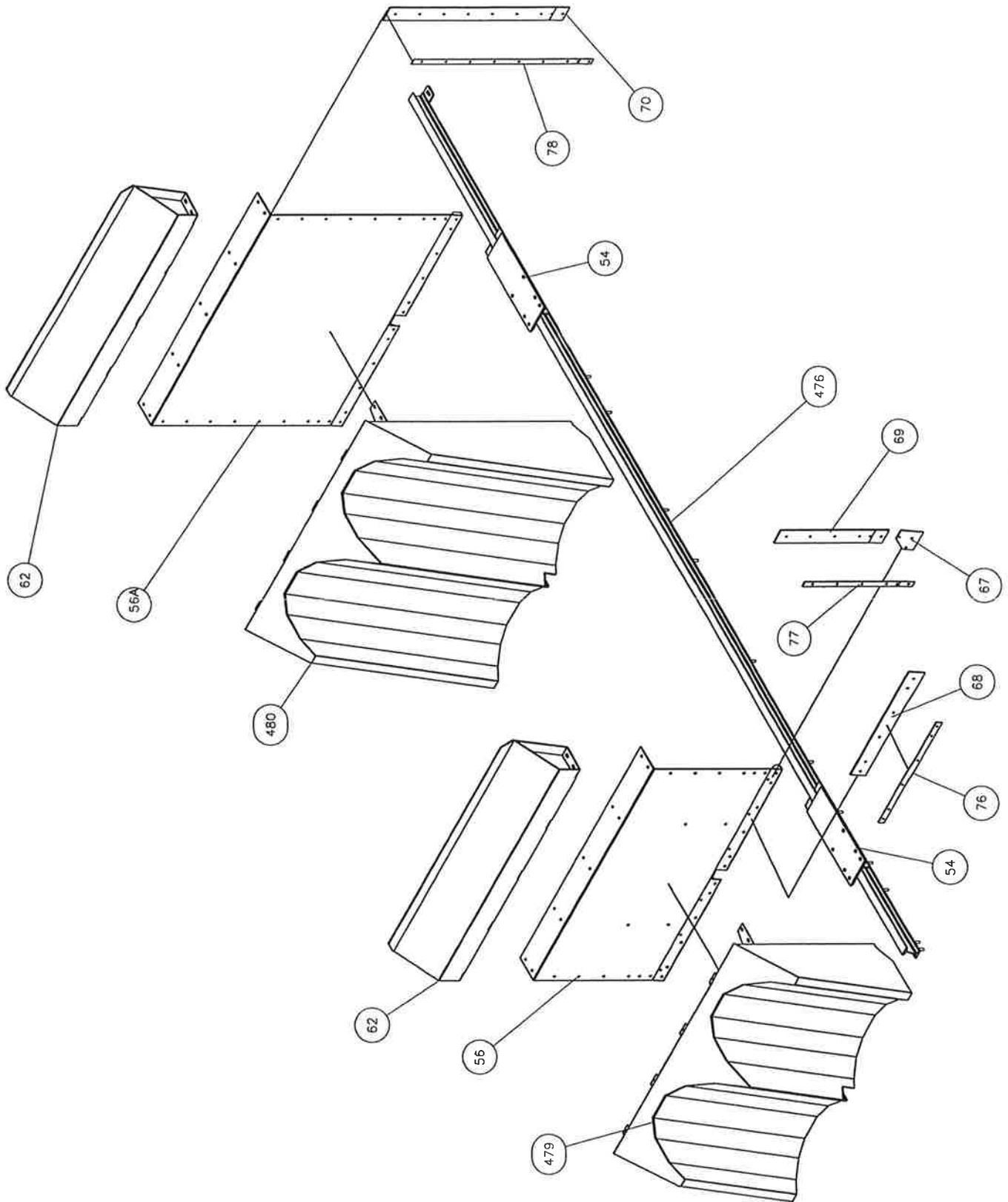


LEON SILVER SPREADER

PUSHER / I-BEAM - 425V / 575V

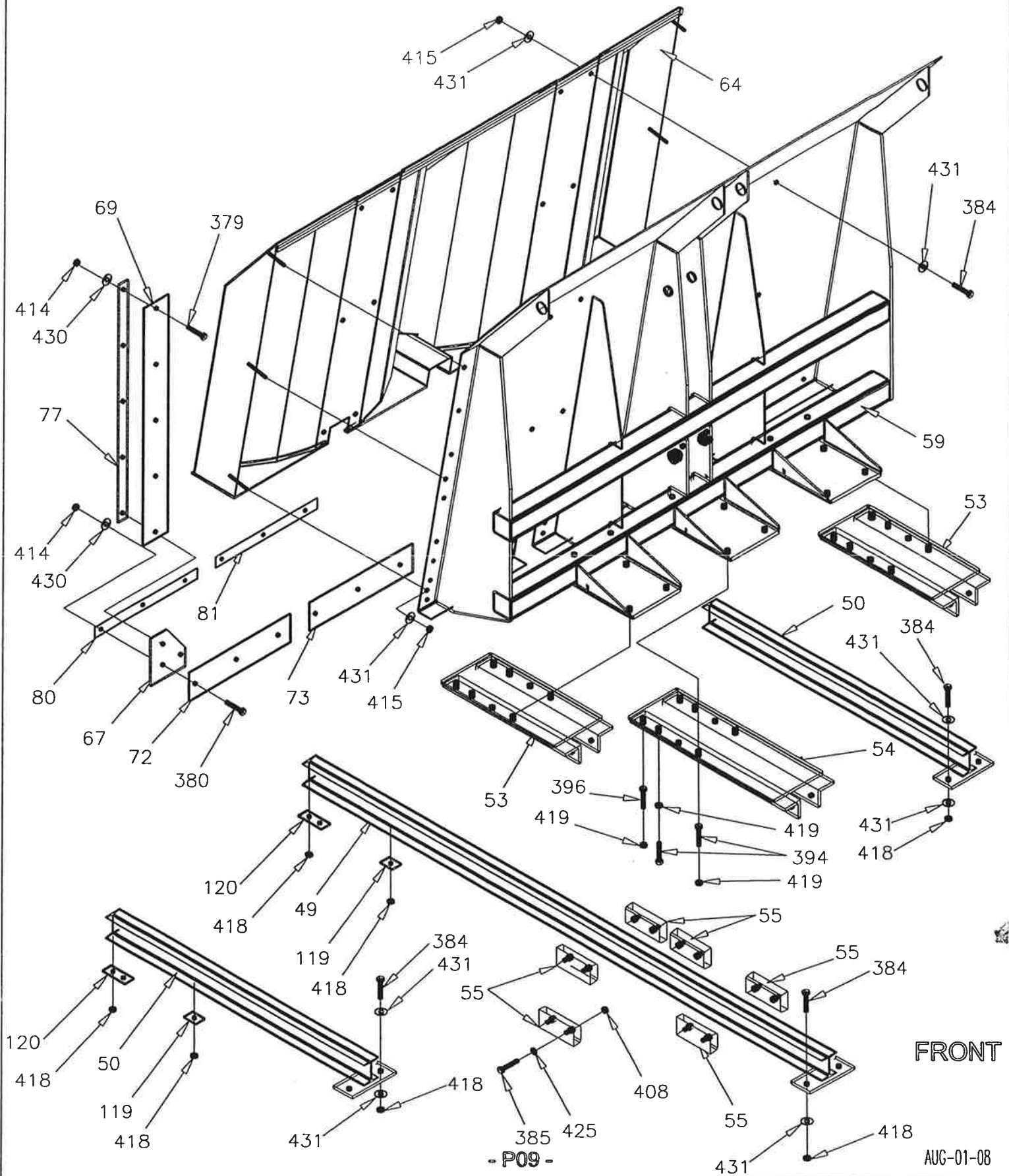


LEON SILVER SPREADER
PUSHER / I-BEAM - 425V/575V/425H/575H



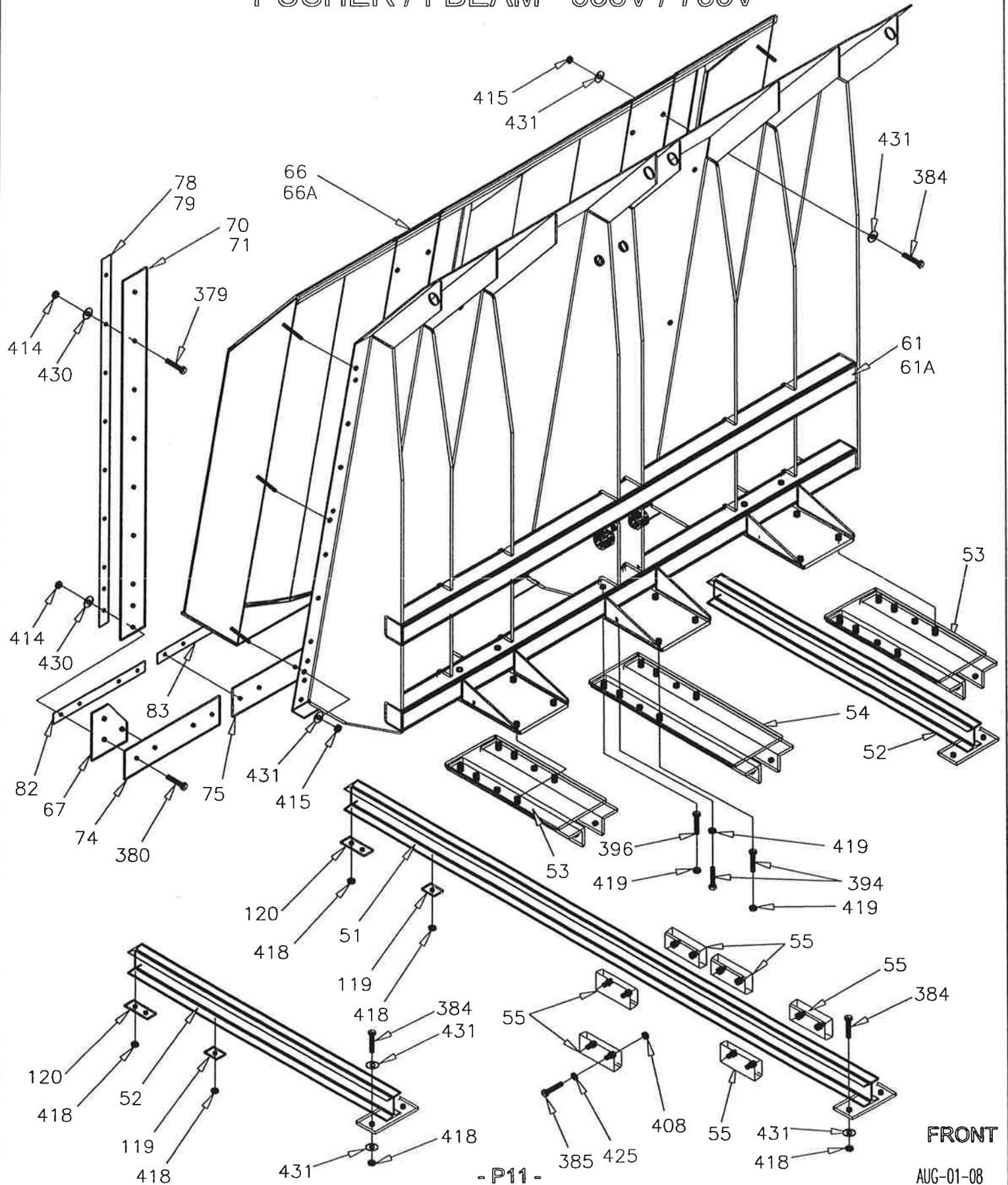
LEON SILVER SPREADER

PUSHER / I-BEAM - 425RSV



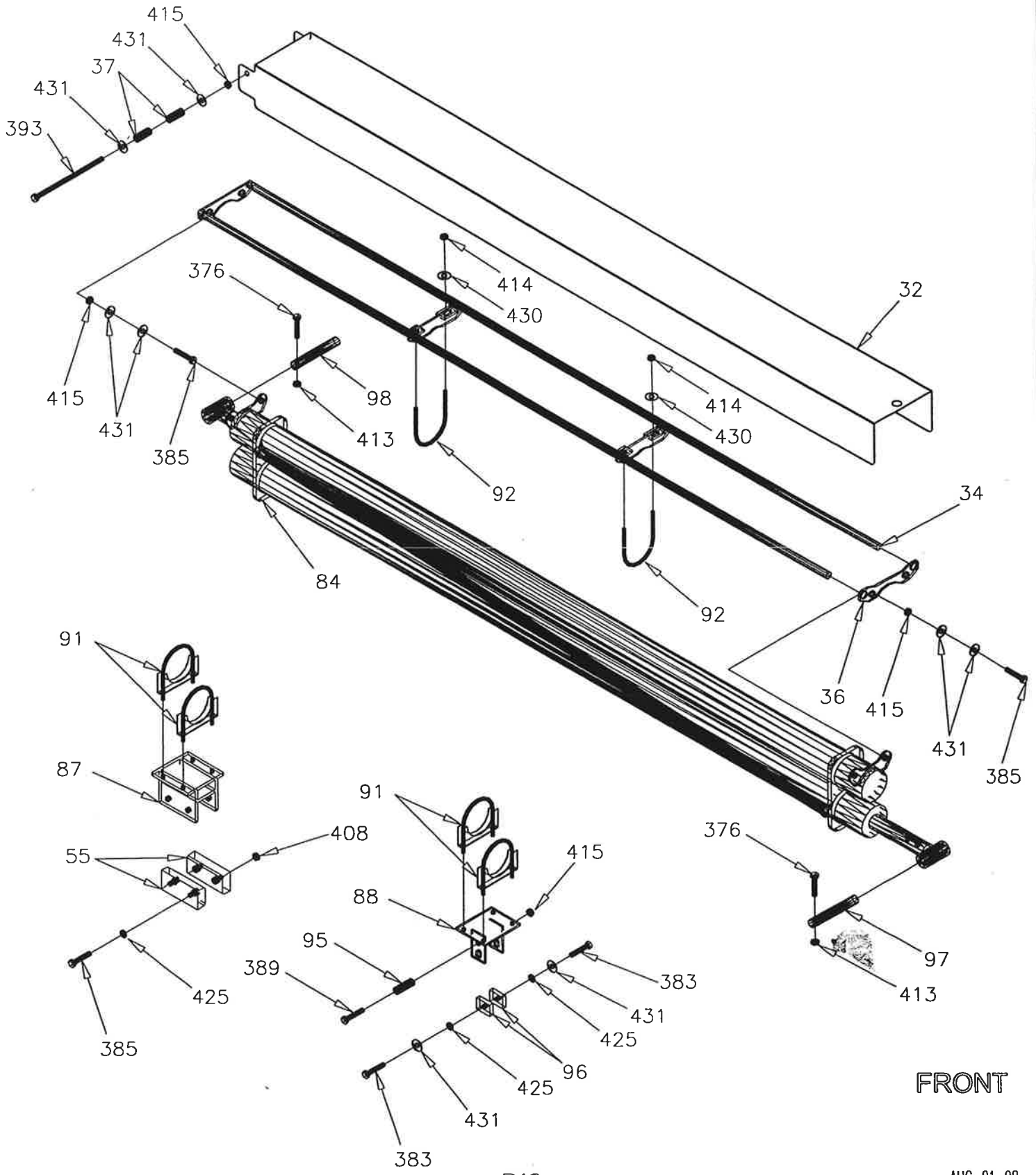
LEON SILVER SPREADER

PUSHER / I-BEAM - 655V / 755V



LEON SILVER SPREADER

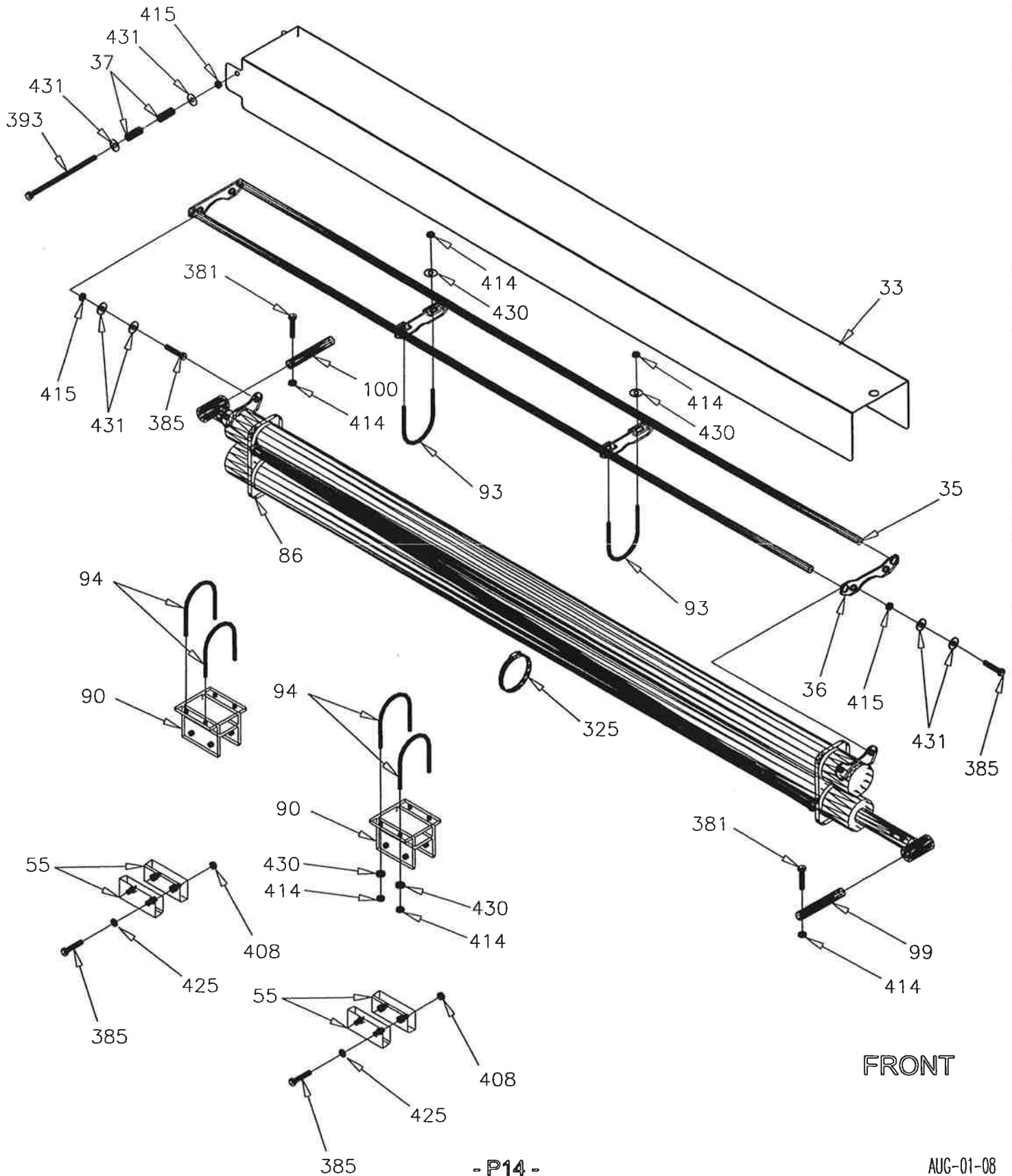
PUSHER CYLINDER - 425 / 425RS



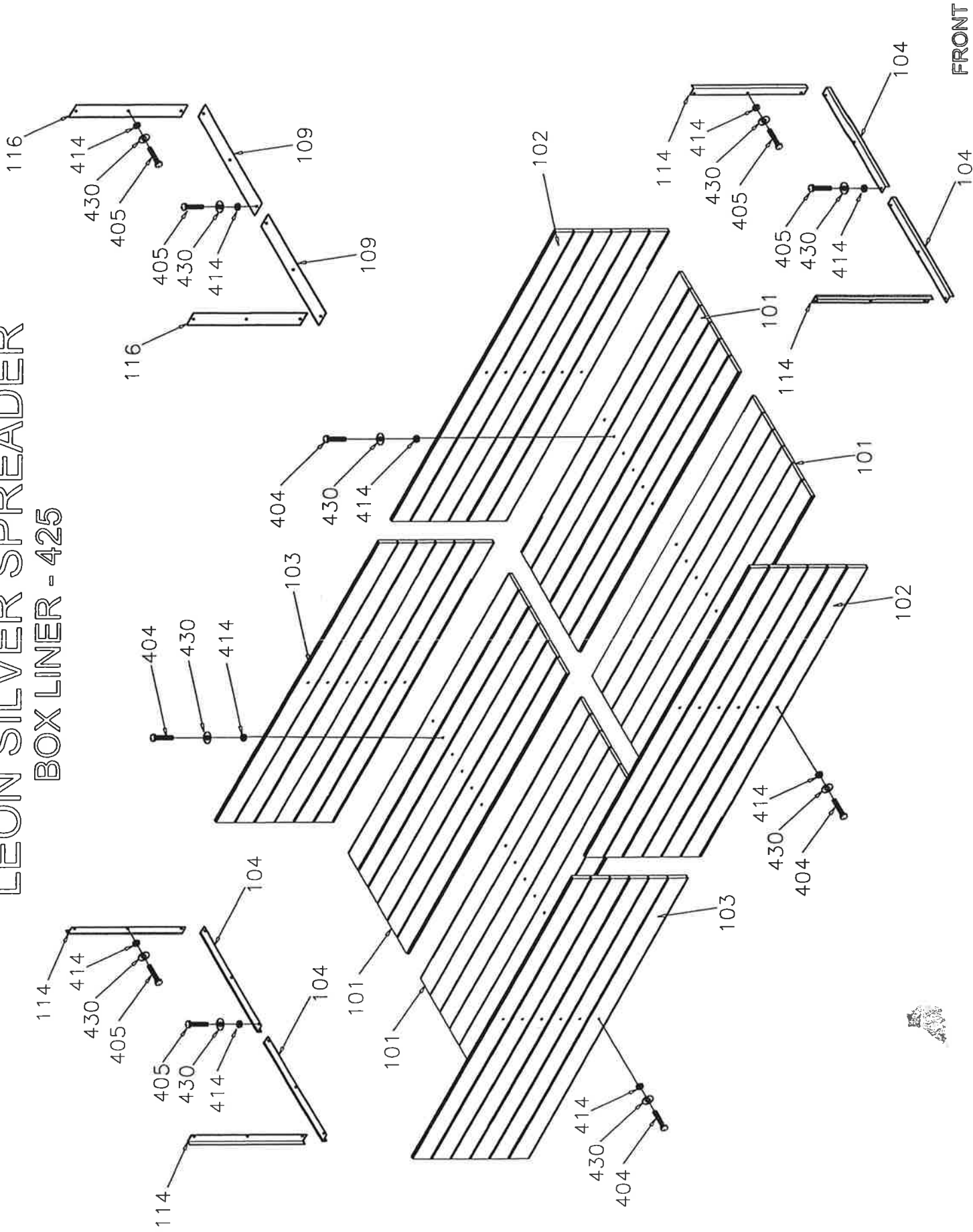
FRONT

LEON SILVER SPREADER

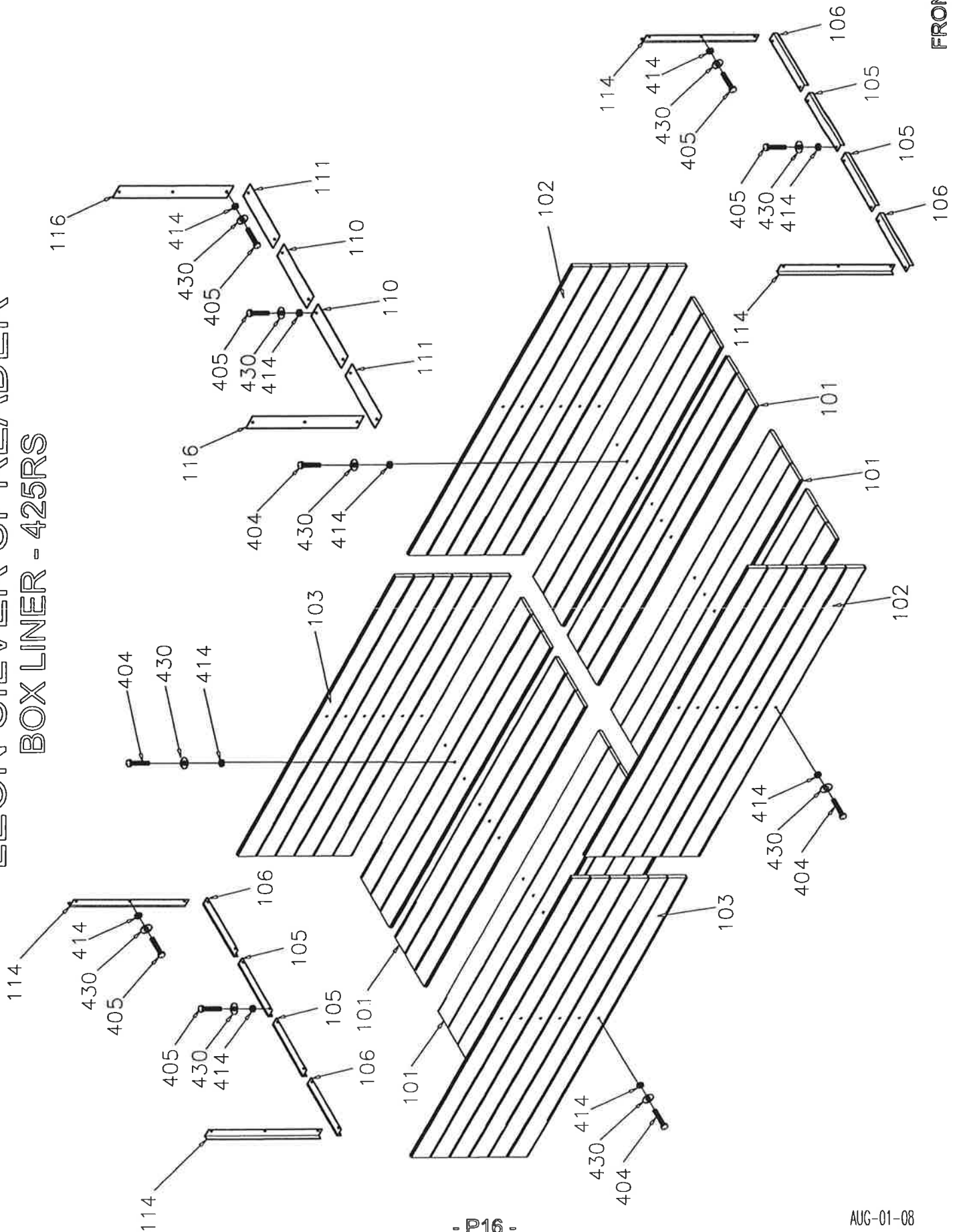
PUSHER CYLINDER - 655 / 755



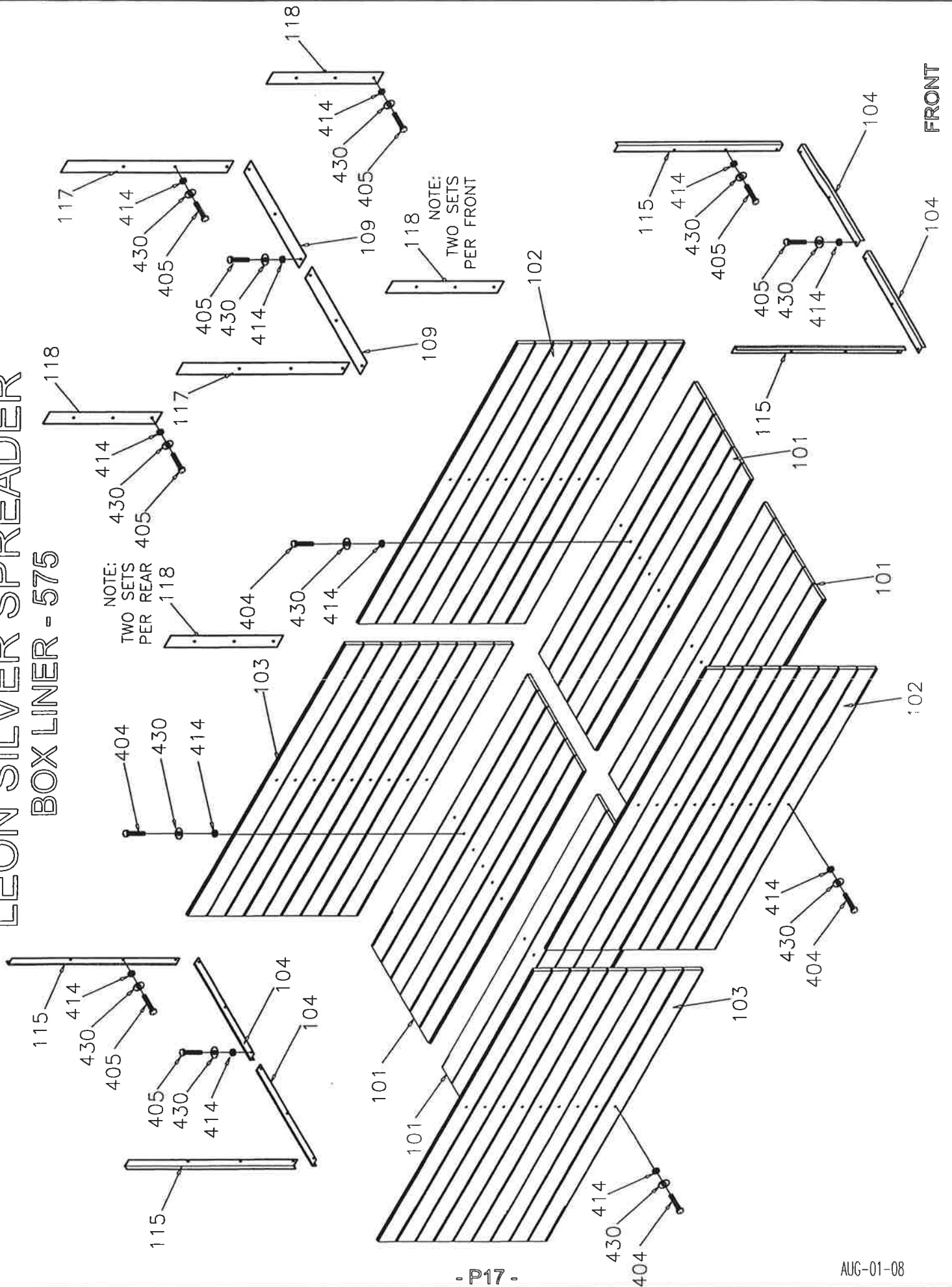
LEON SILVER SPREADER BOX LINER - 425



LEON SILVER SPREADER BOX LINER - 425RS

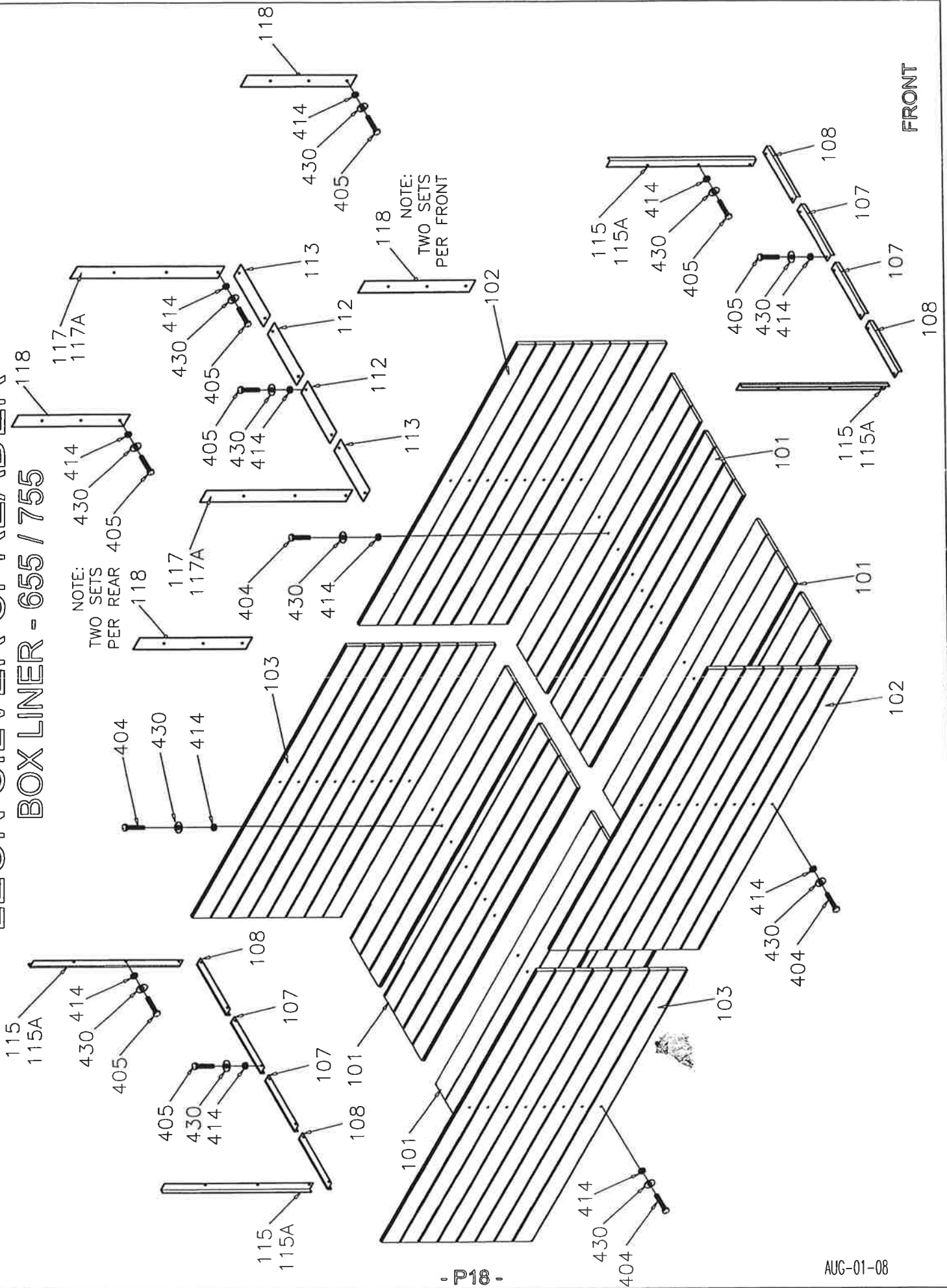


LEON SILVER SPREADER BOX LINER - 575



LEON SILVER SPREADER

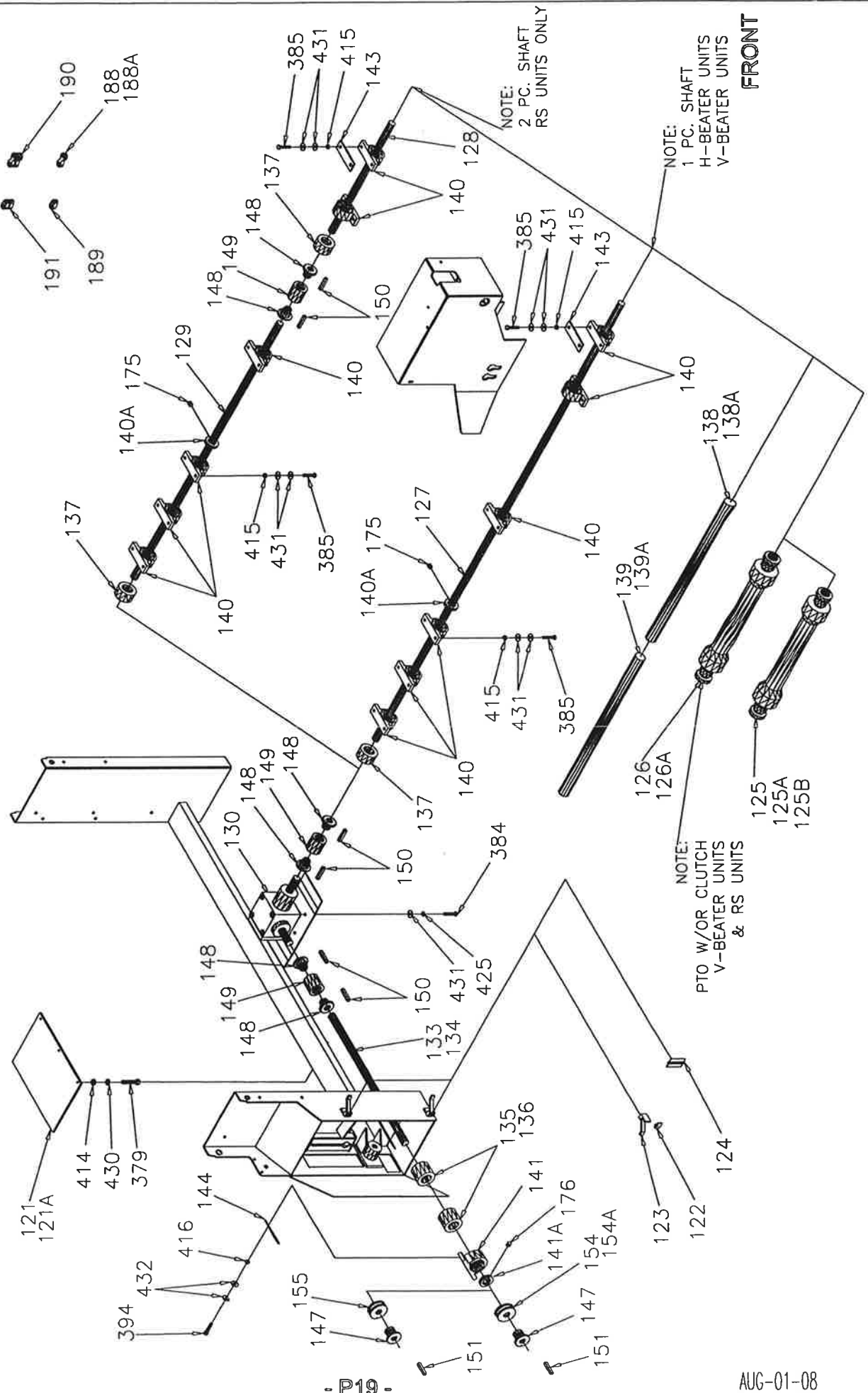
BOX LINER - 655 / 755



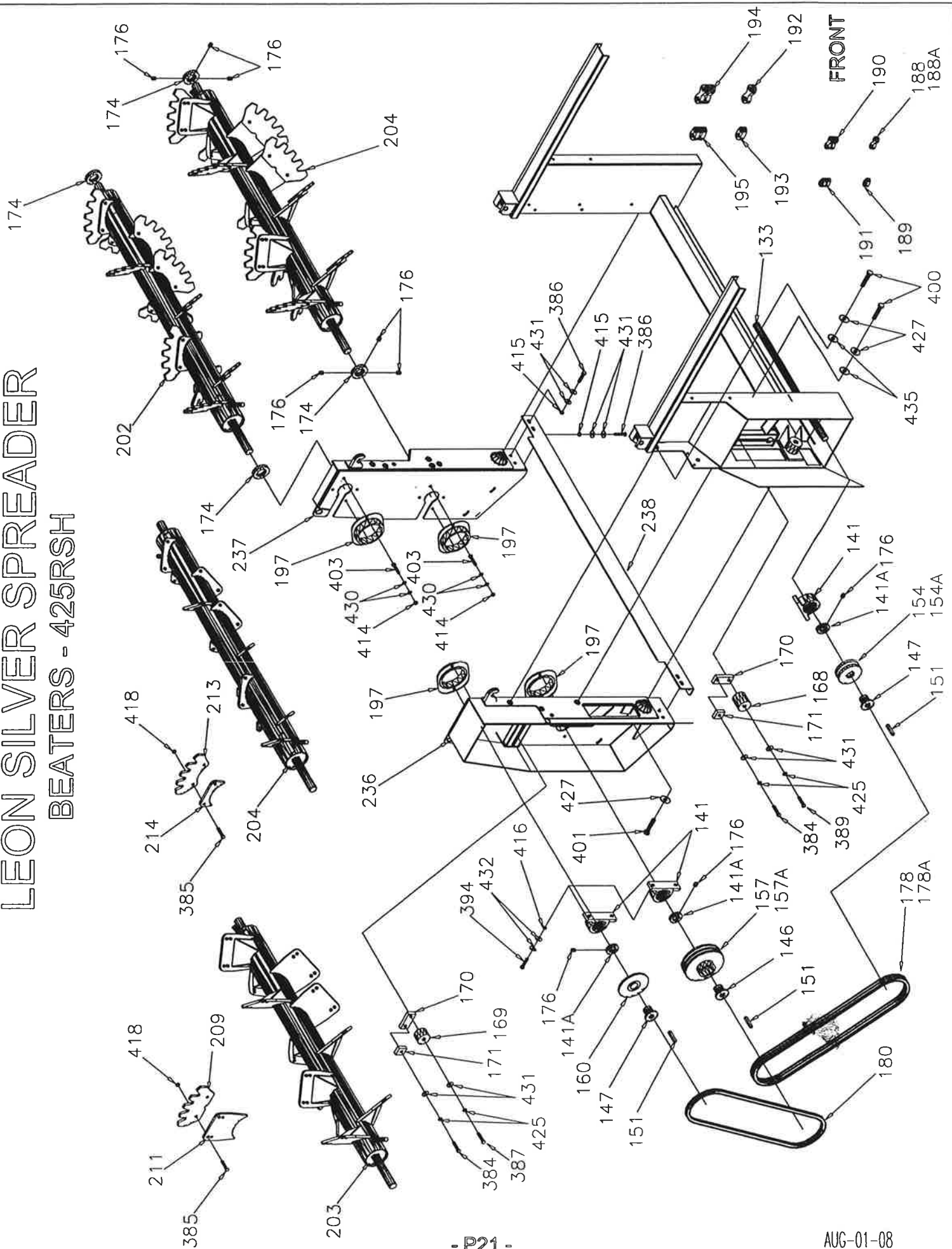
LEON SILVER SPREADER

DRIVE LINE - 425 / 575 / 655 / 755

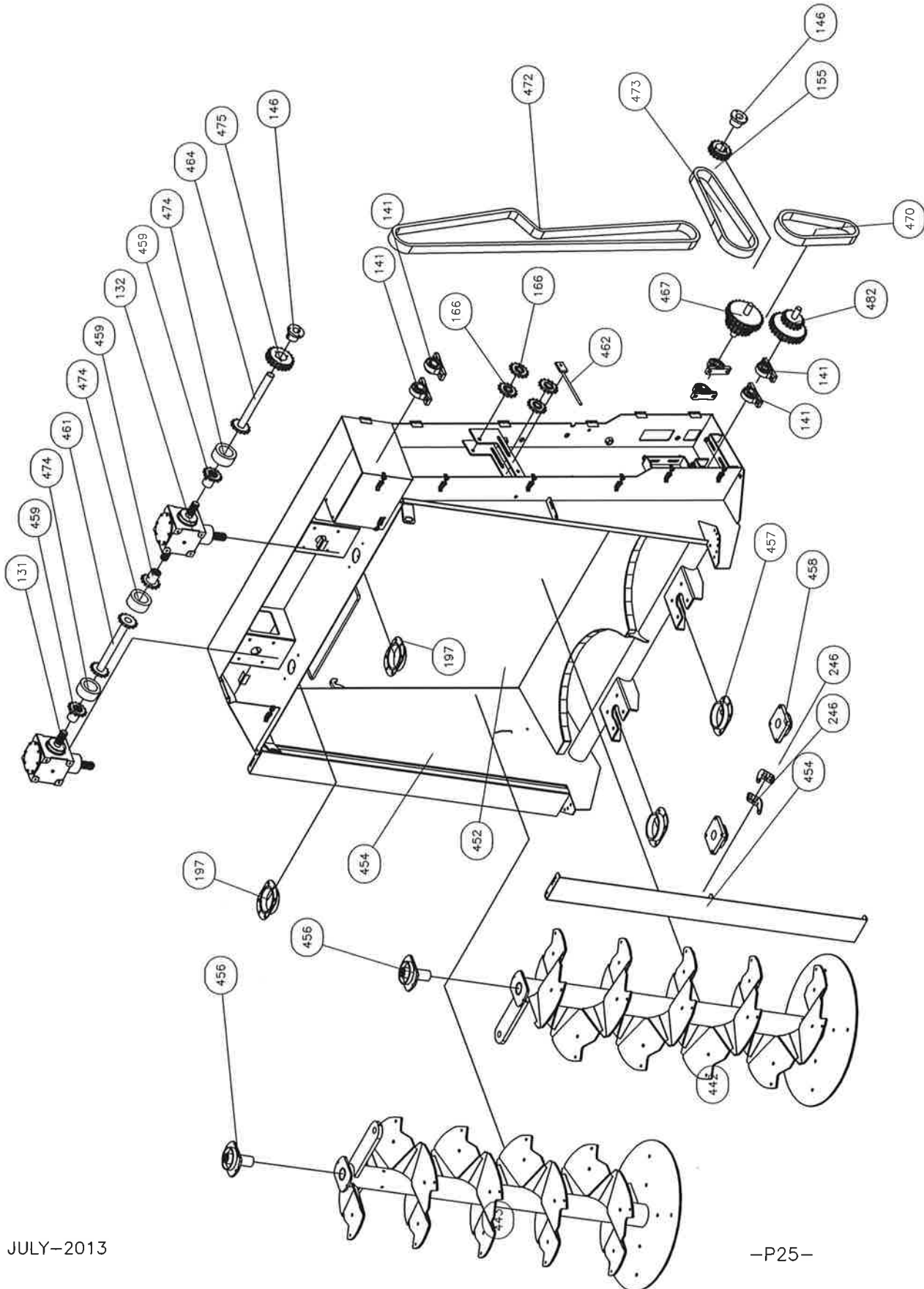
DRIVE LINE - 425RS



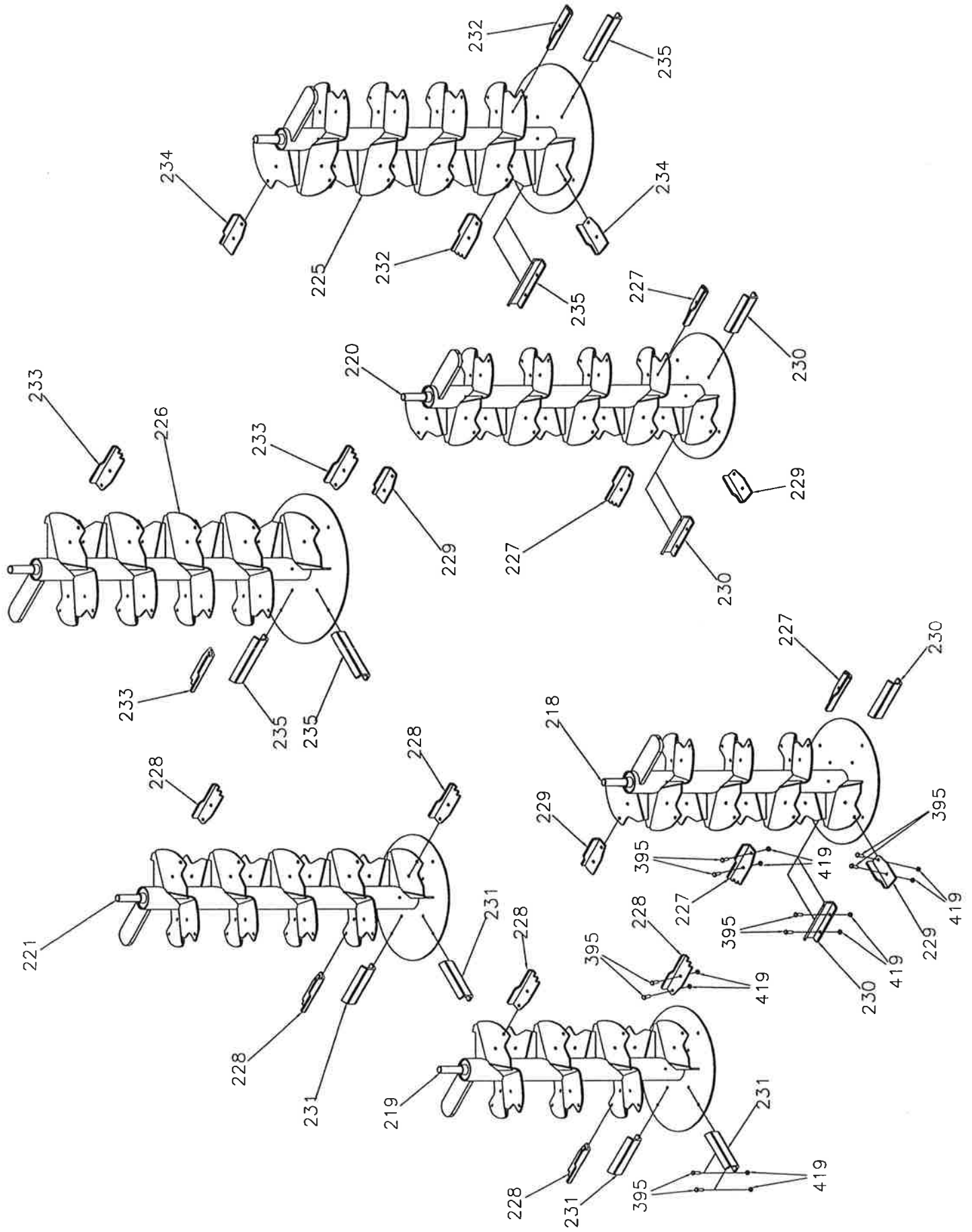
LEON SILVER SPREADER BEATERS - 425RSRSH



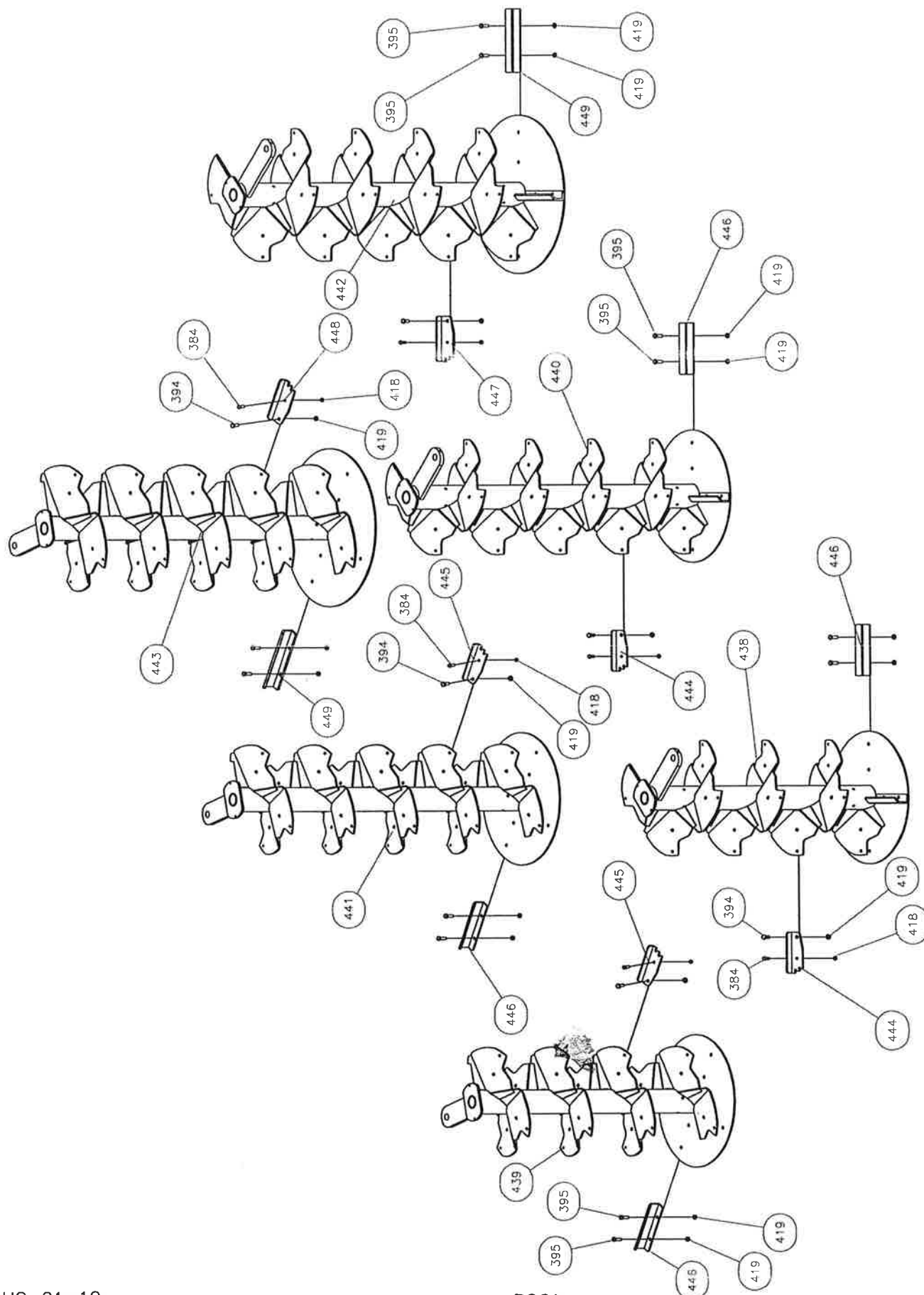
LEON SILVER SPREADER BEATERS – 655V/755V –(DIRECT DRIVE)



LEON SILVER SPREADER VERTICAL BEATERS

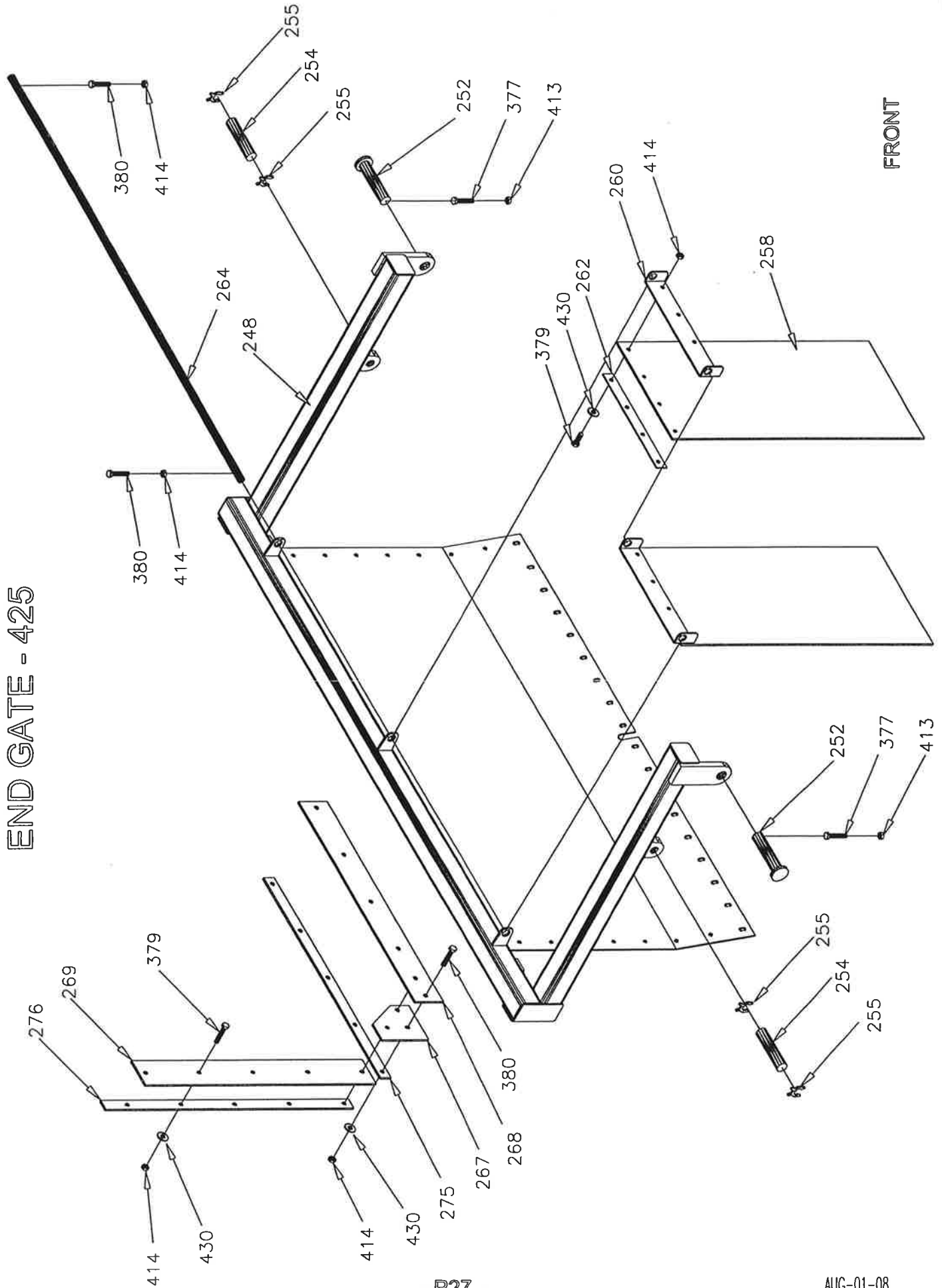


LEON SILVER SPREADER VERTICAL BEATERS - (DIRECT DRIVE)



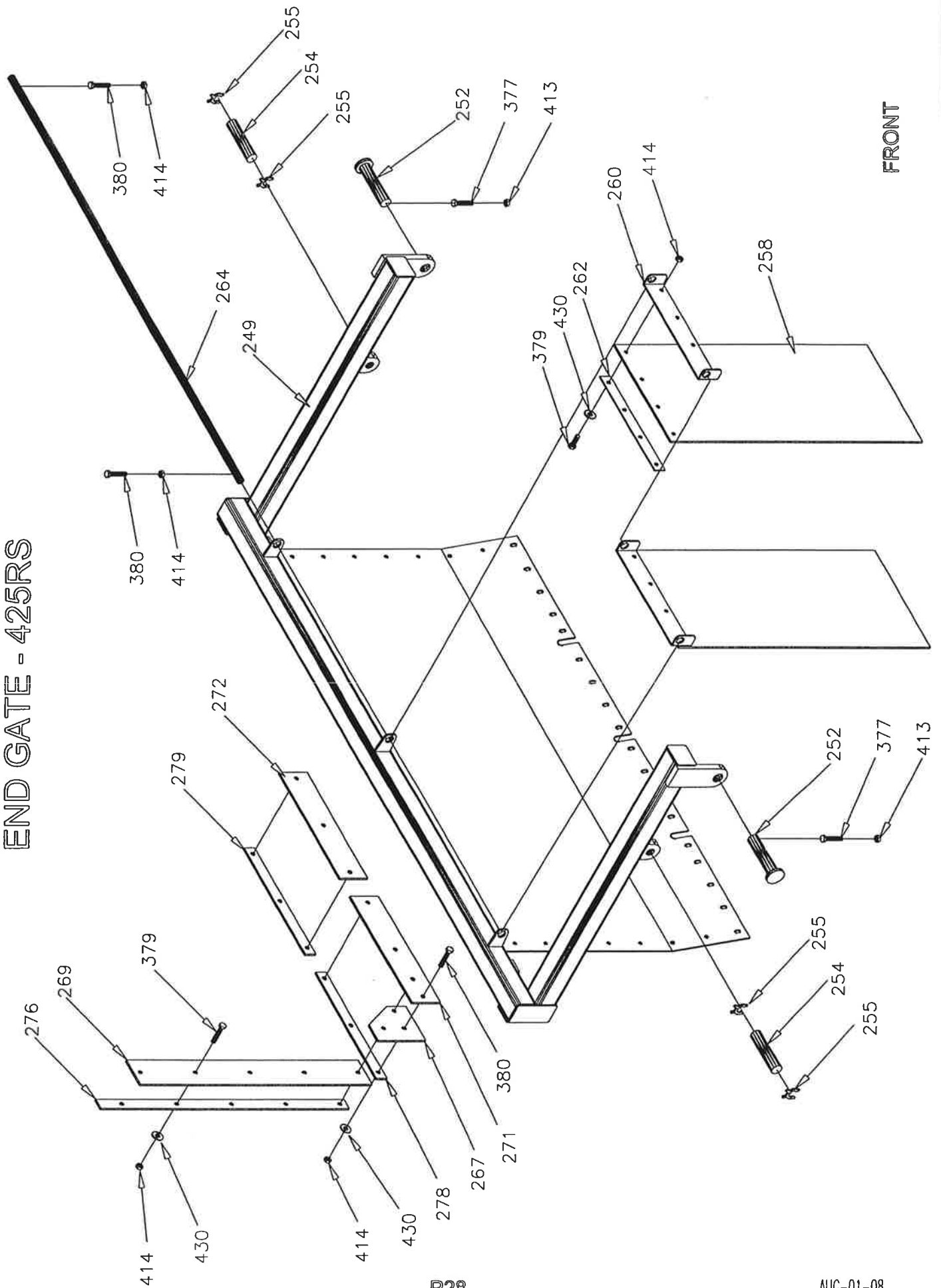
LEON SILVER SPREADER

END GATE - 425



LEON SILVER SPREADER

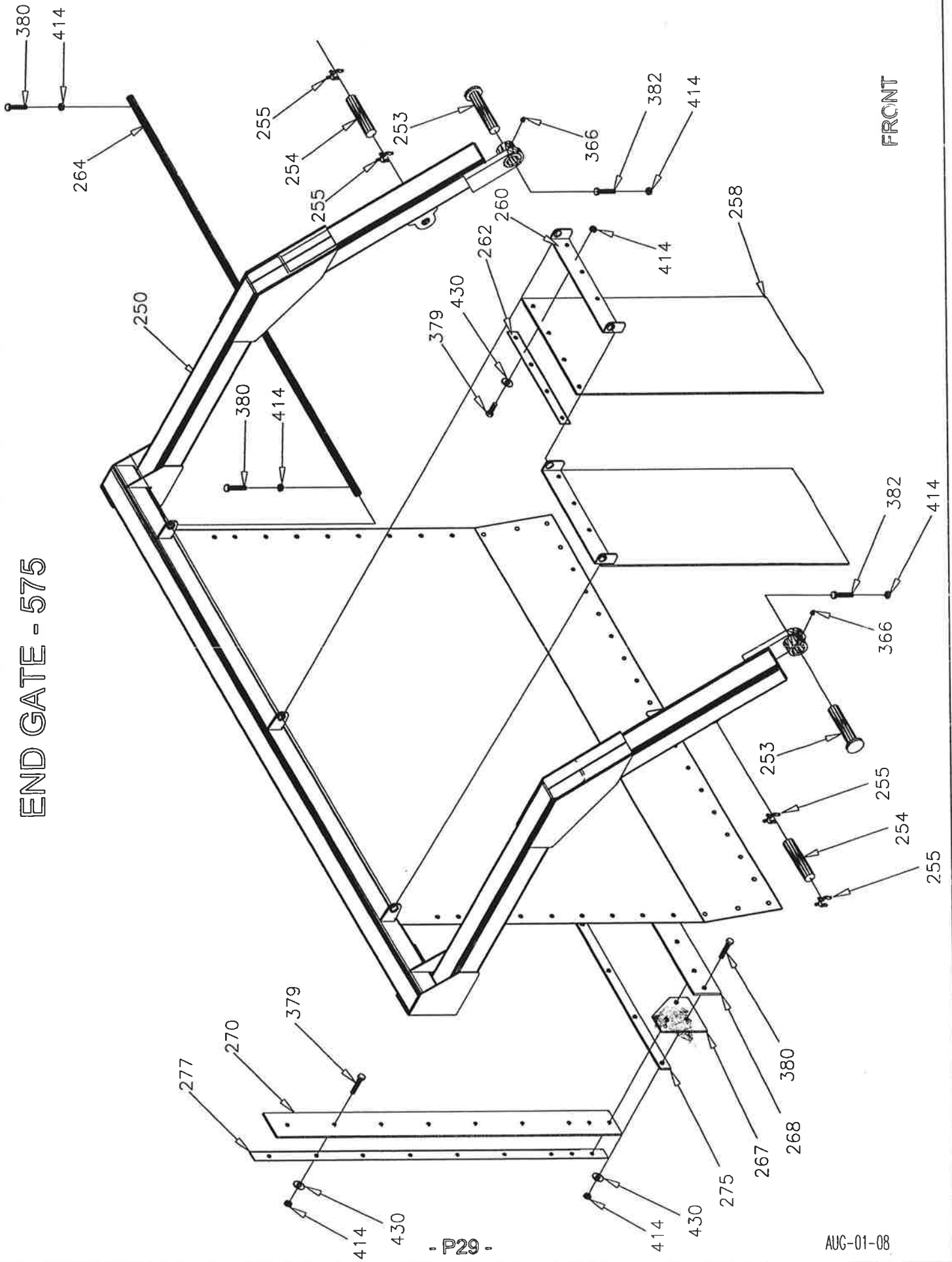
END GATE - 425RS



LEON SILVER SPREADER

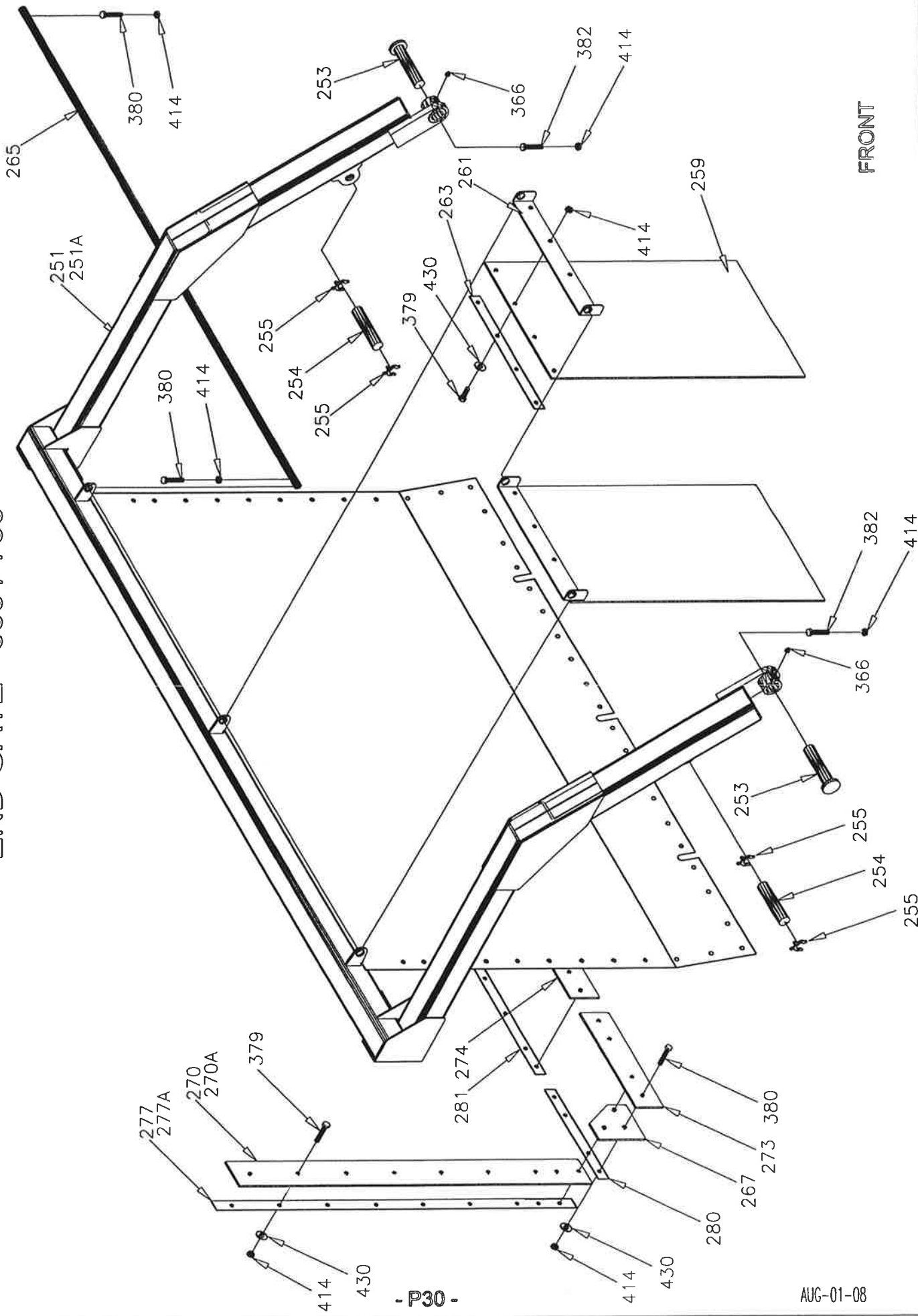
END GATE - 575

FRONT



LEON SILVER SPREADER

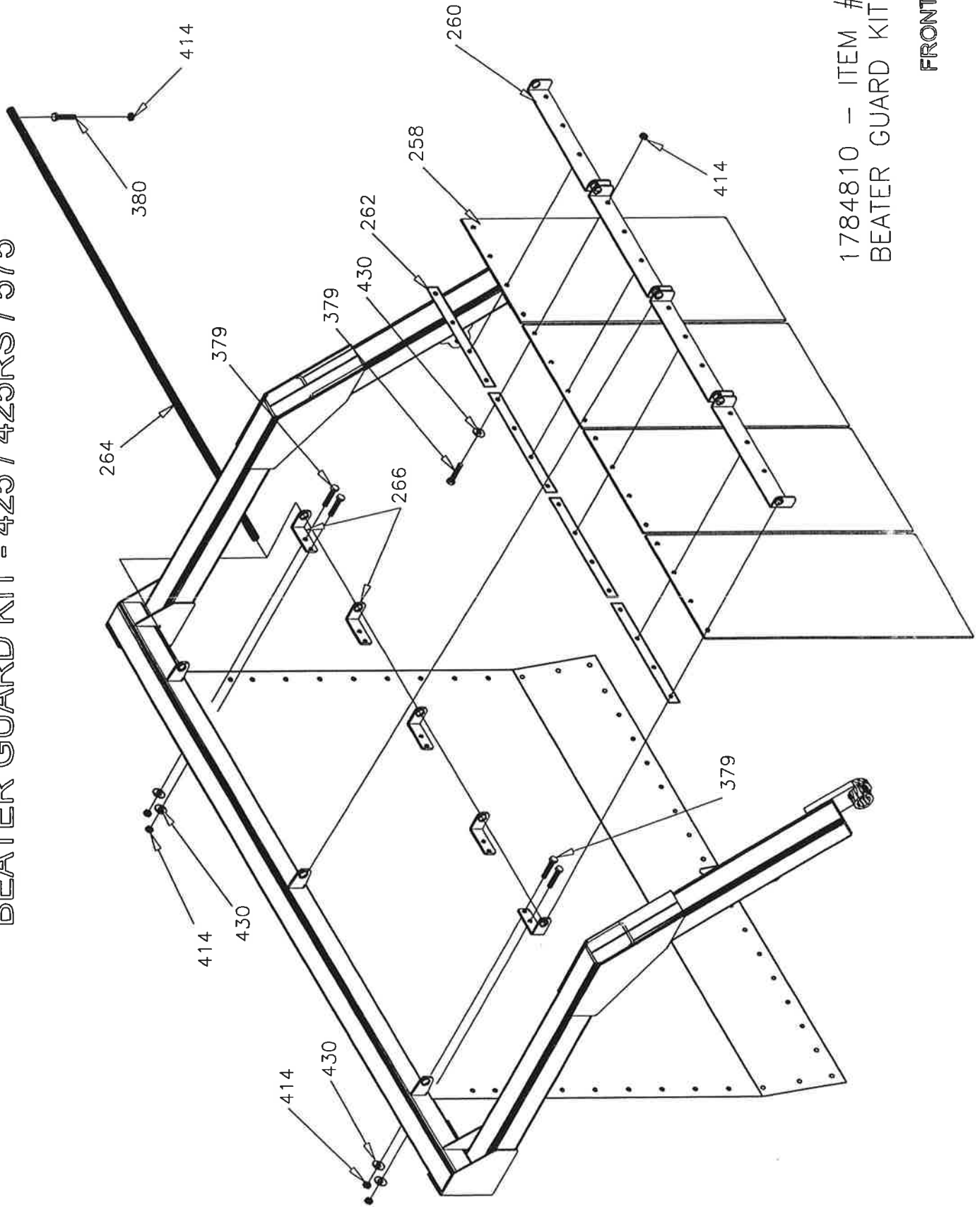
END GATE - 655 / 755



FRONT

LEON SILVER SPREADER

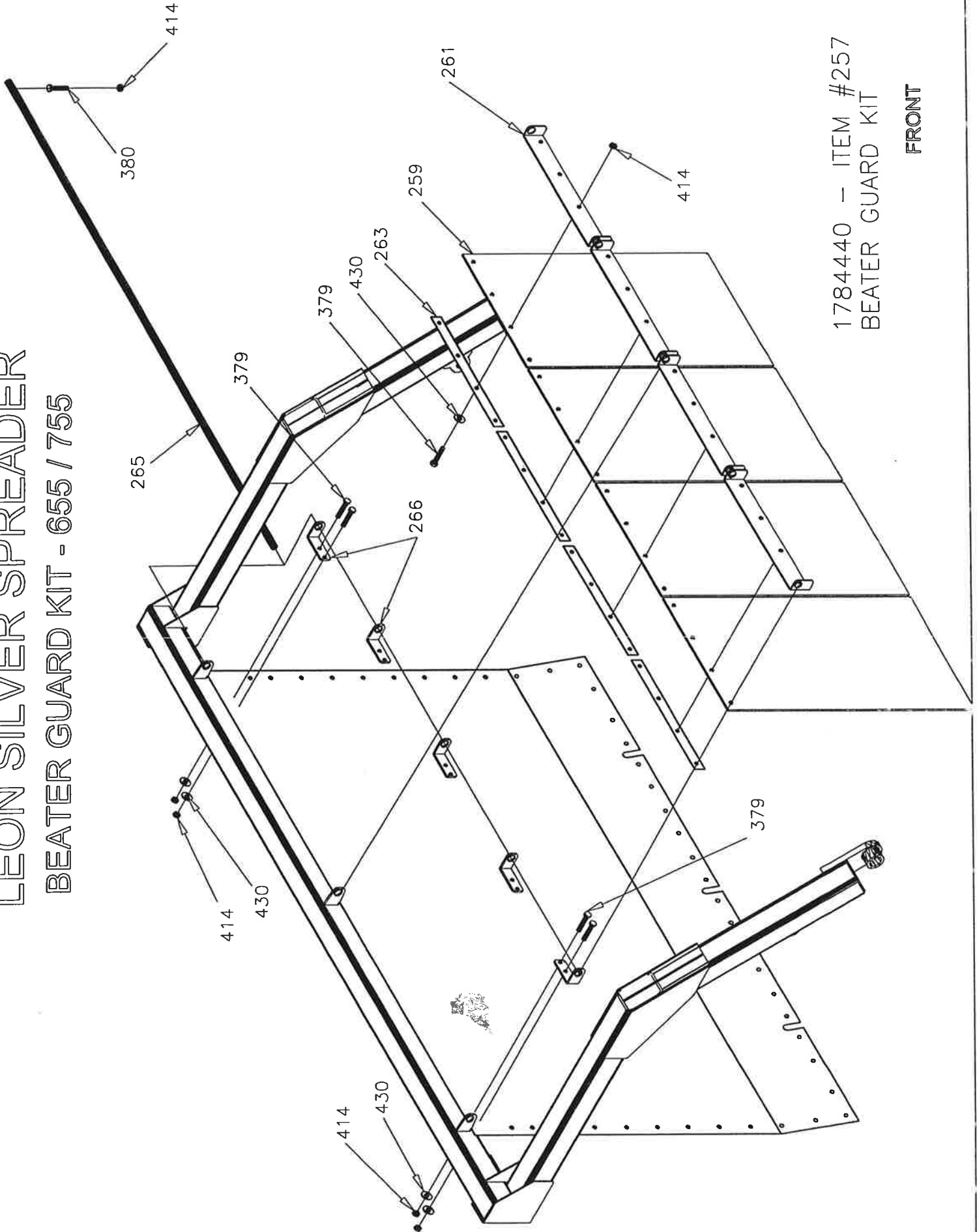
BEATER GUARD KIT - 425 / 425RS / 575



1784810 - ITEM #256
BEATER GUARD KIT

FRONT

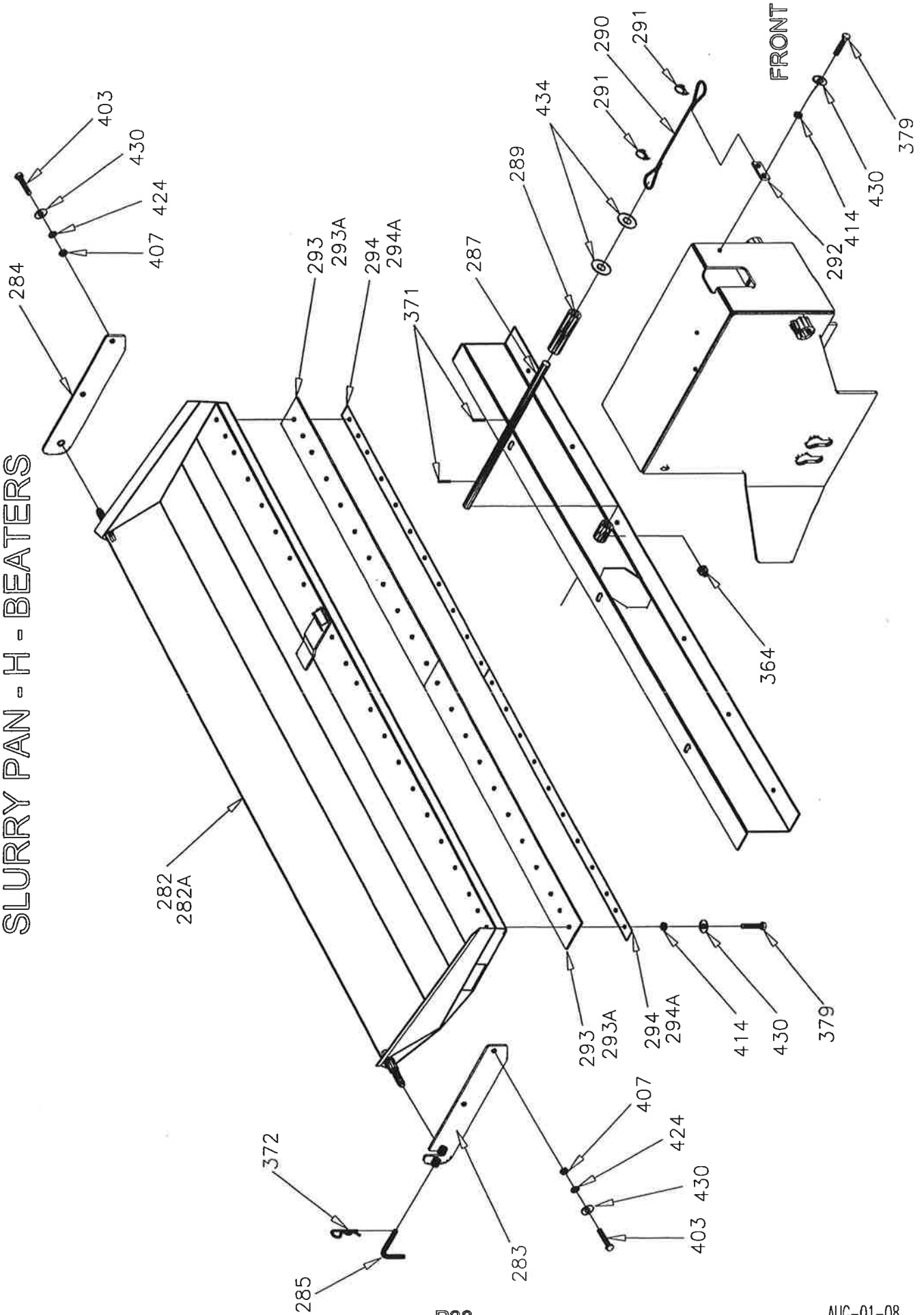
LEON SILVER SPREADER
BEATER GUARD KIT - 655 / 755



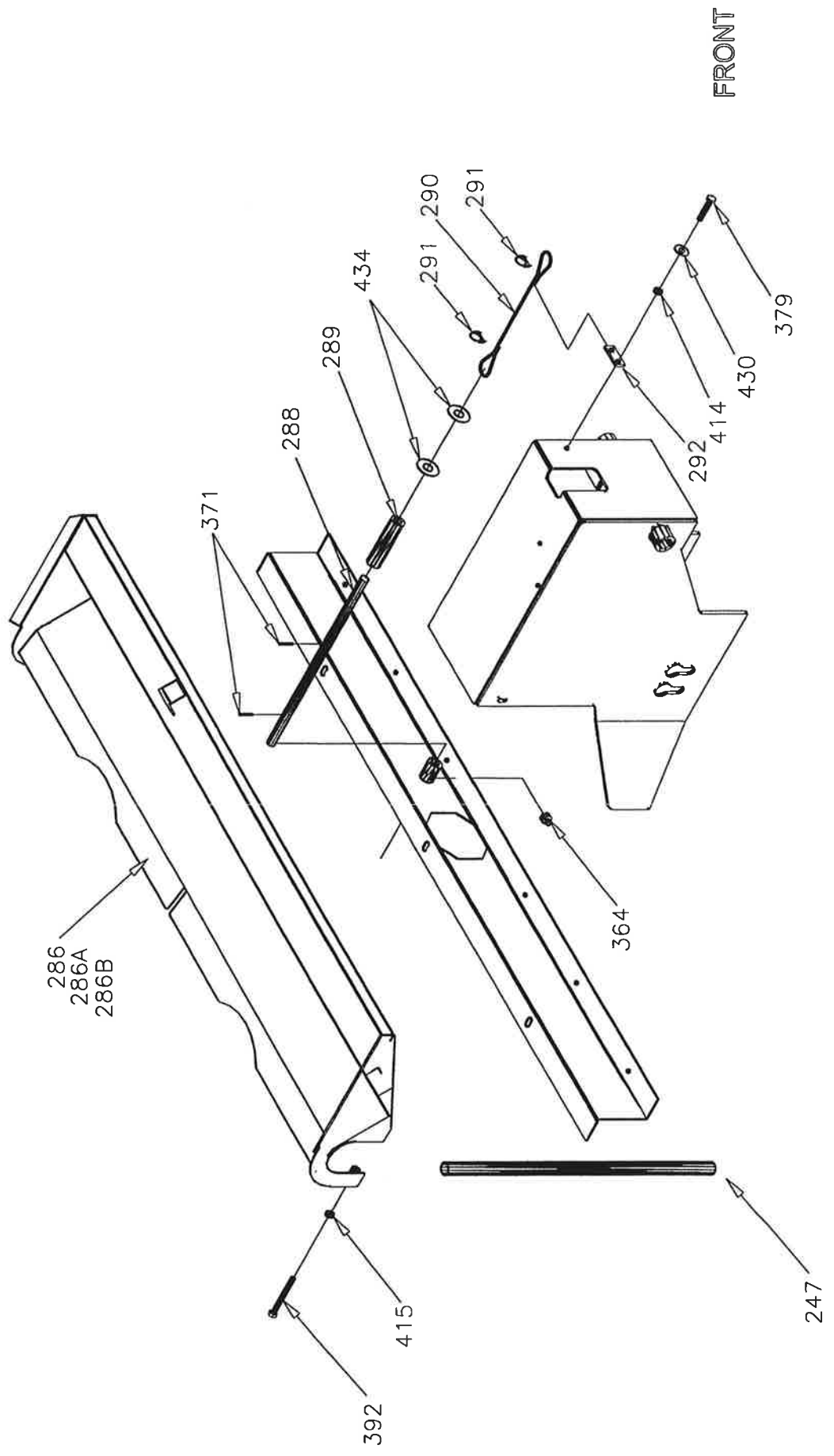
1784440 - ITEM #257
BEATER GUARD KIT

FRONT

LEON SILVER SPREADER SLURRY PAN - H - BEATERS

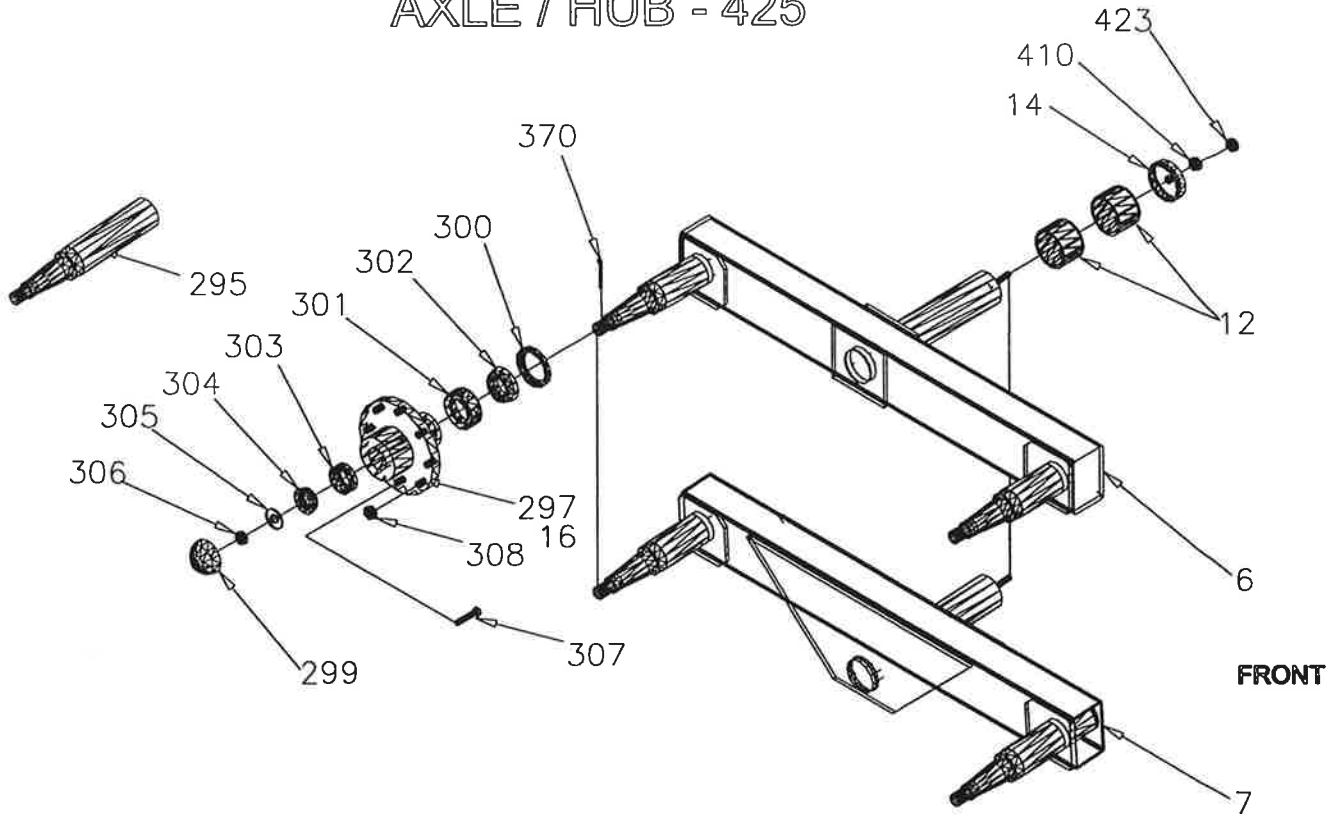


LEON SILVER SPREADER SLURRY PAN - V - BEATERS

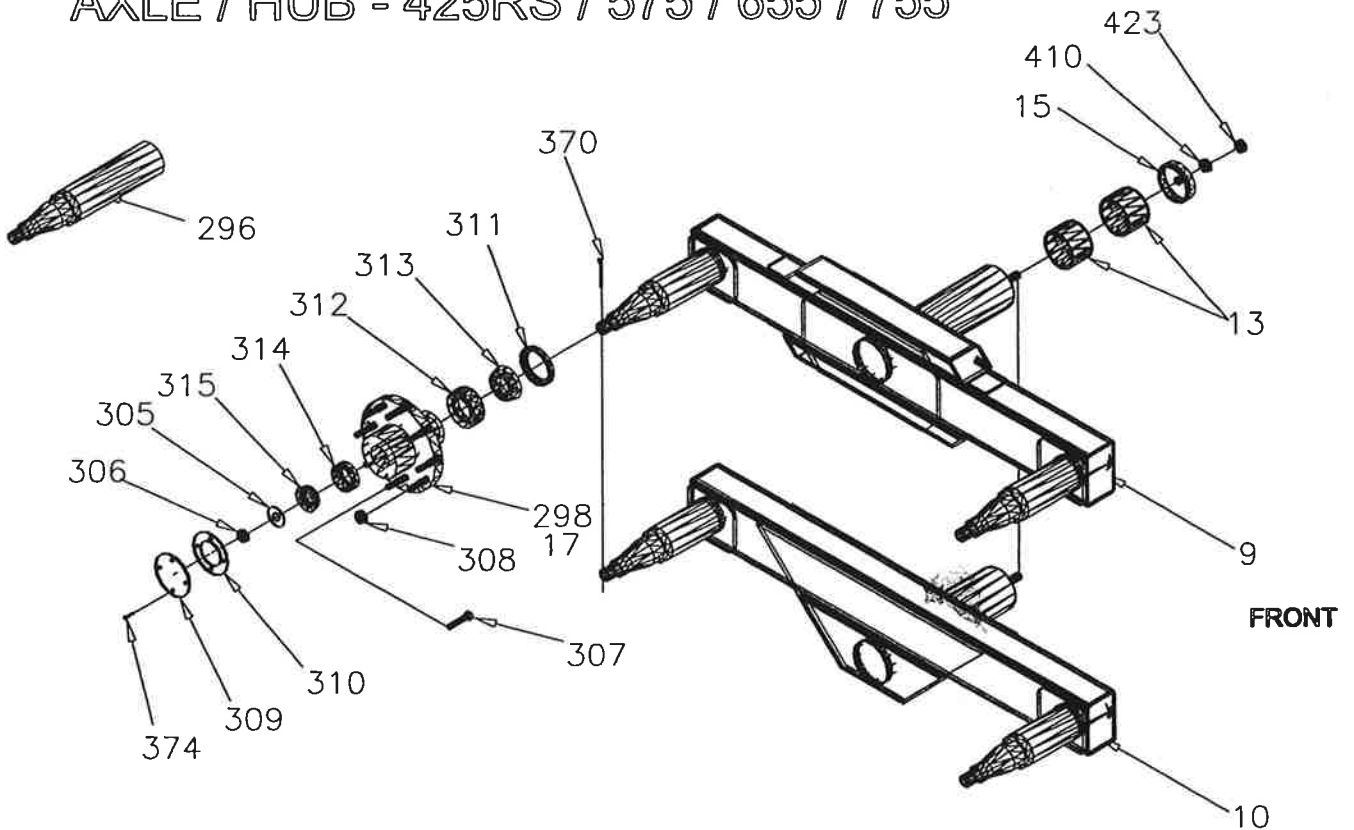


LEON SILVER SPREADER

AXLE / HUB - 425

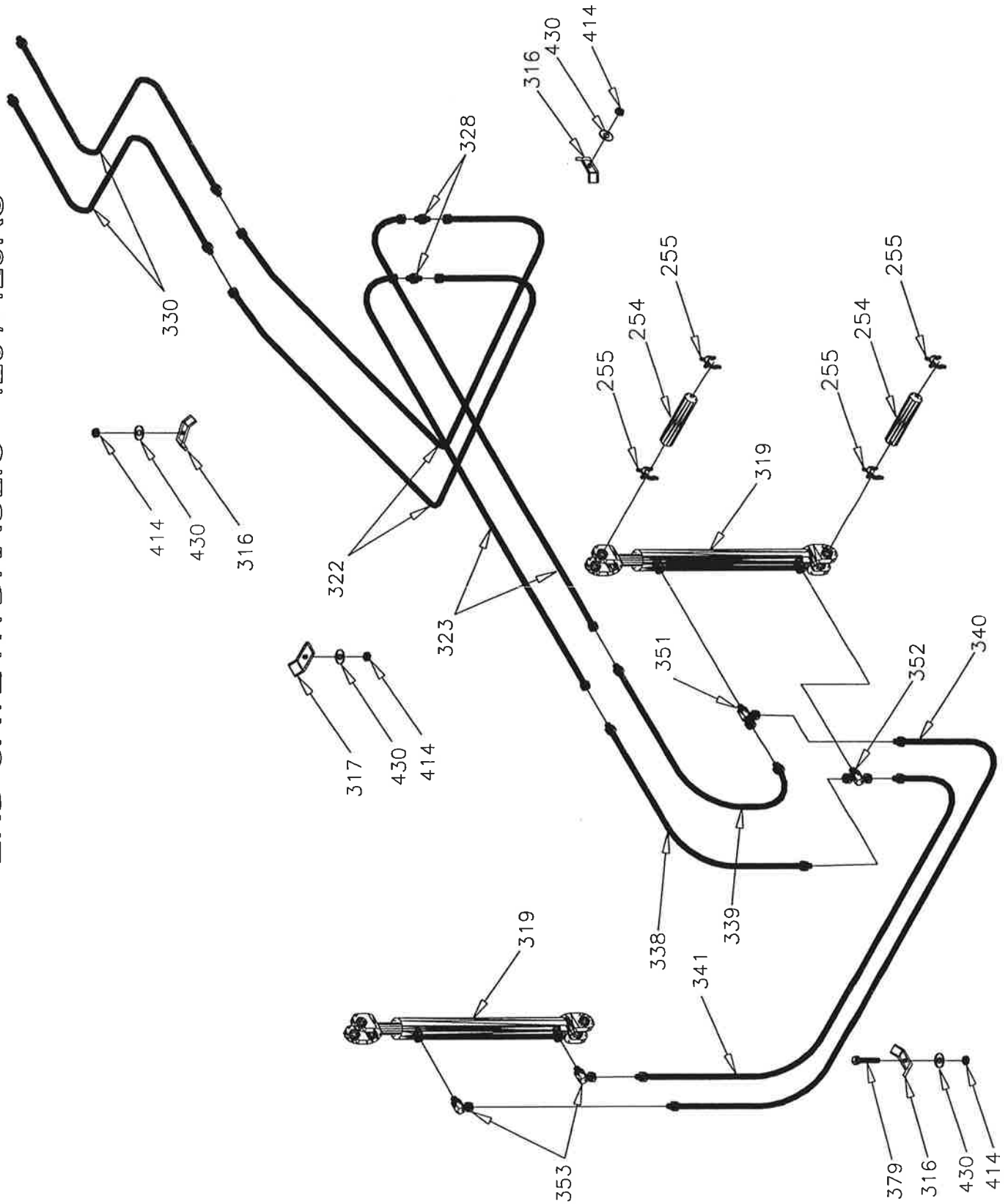


AXLE / HUB - 425RS / 575 / 655 / 755



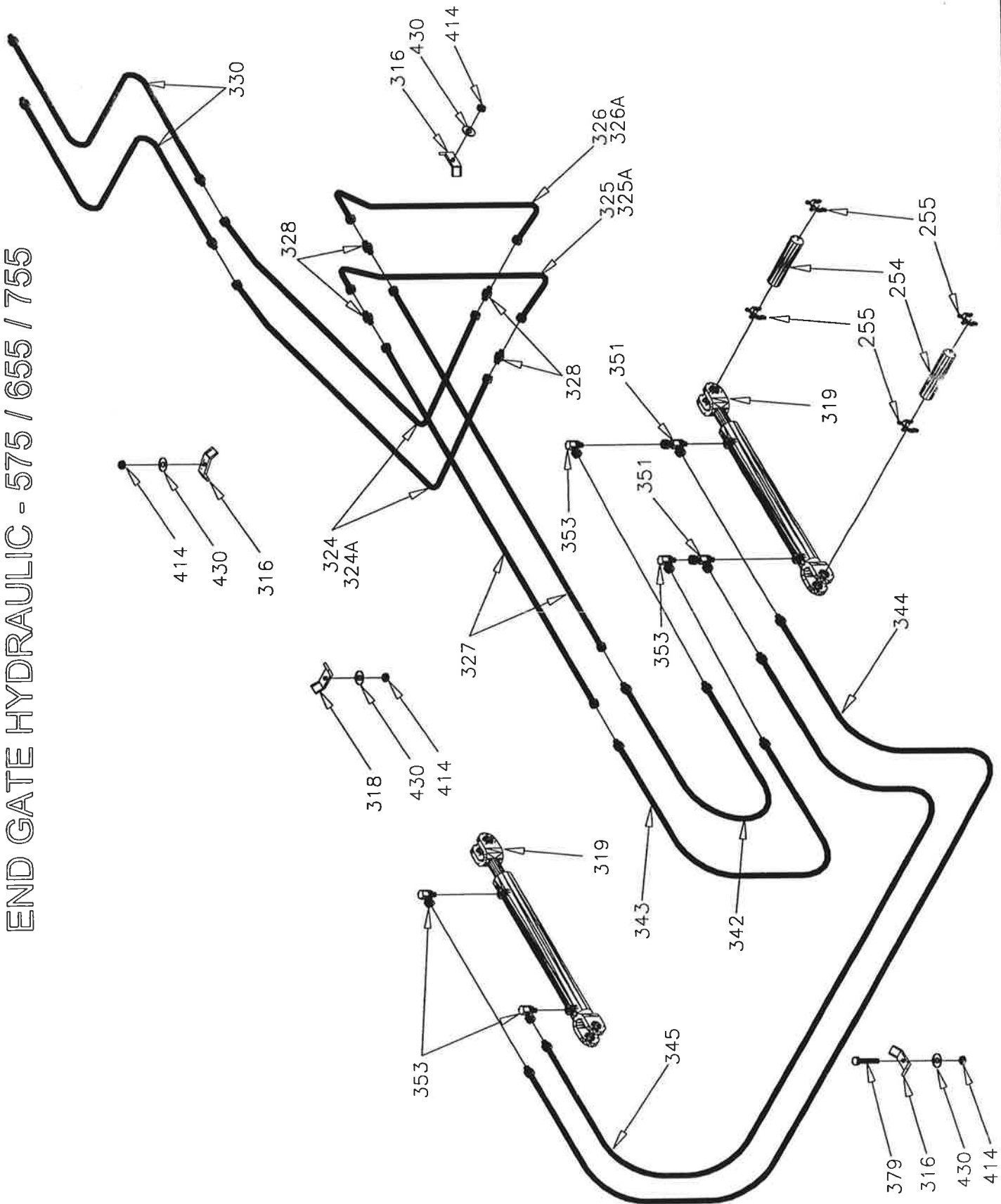
LEON SILVER SPREADER END GATE HYDRAULIC - 425 / 425RS

FRONT



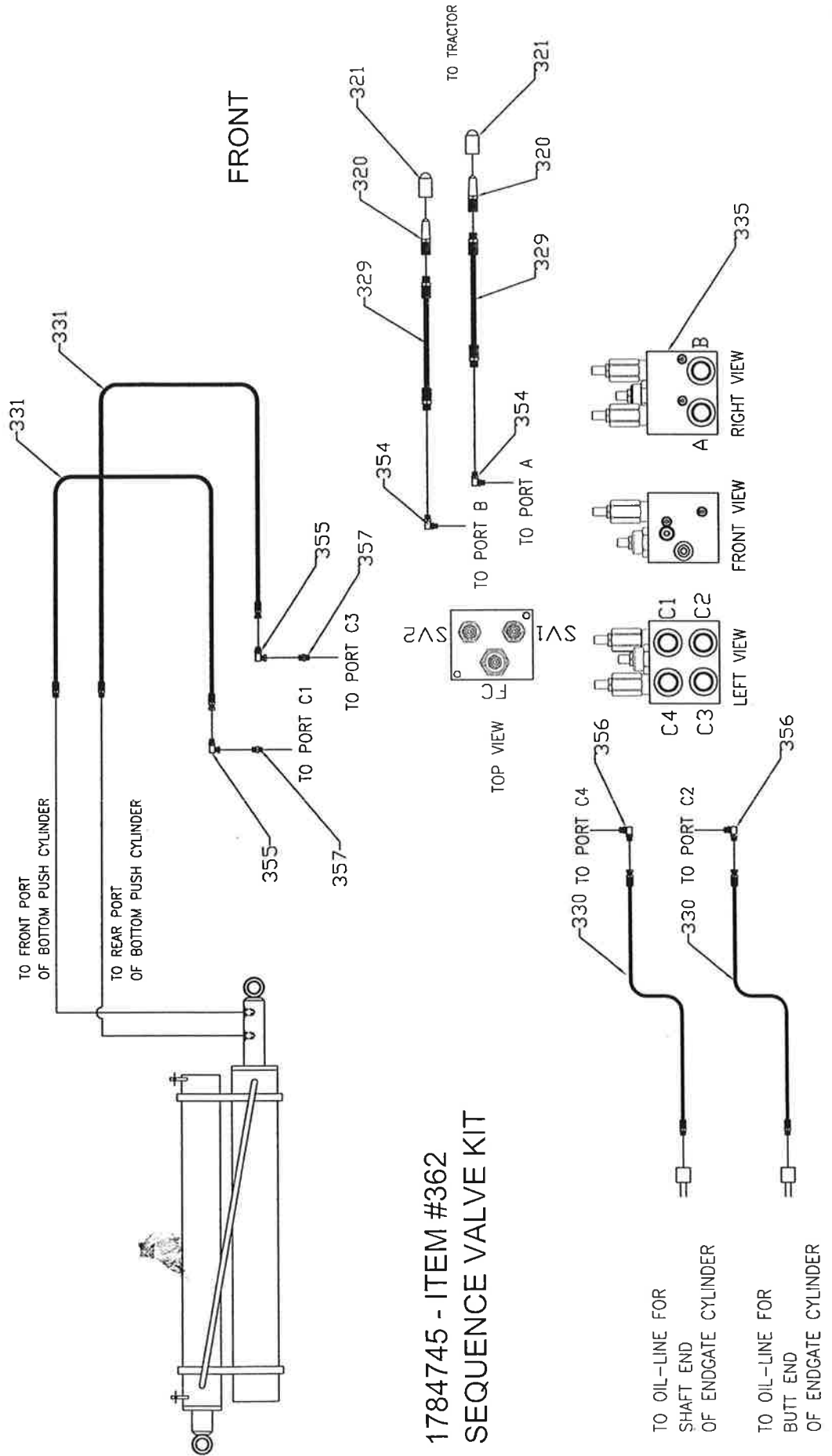
LEON SILVER SPREADER END GATE HYDRAULIC - 575 / 655 / 755

FRONT



LEON SILVER SPREADER

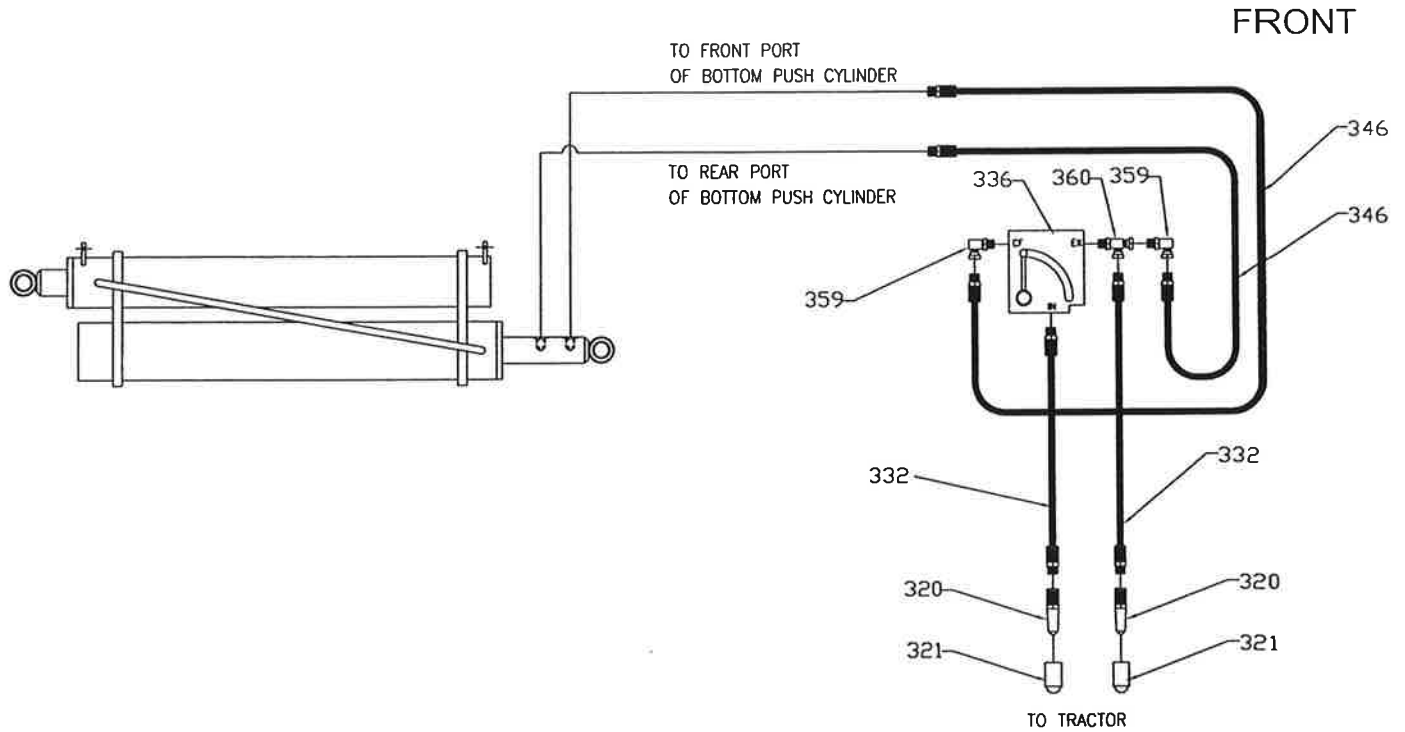
PUSH CYLINDER / FLOW CONTROL / SEQUENCE VALVE LAYOUT
CLOSED CENTER HYDRAULIC



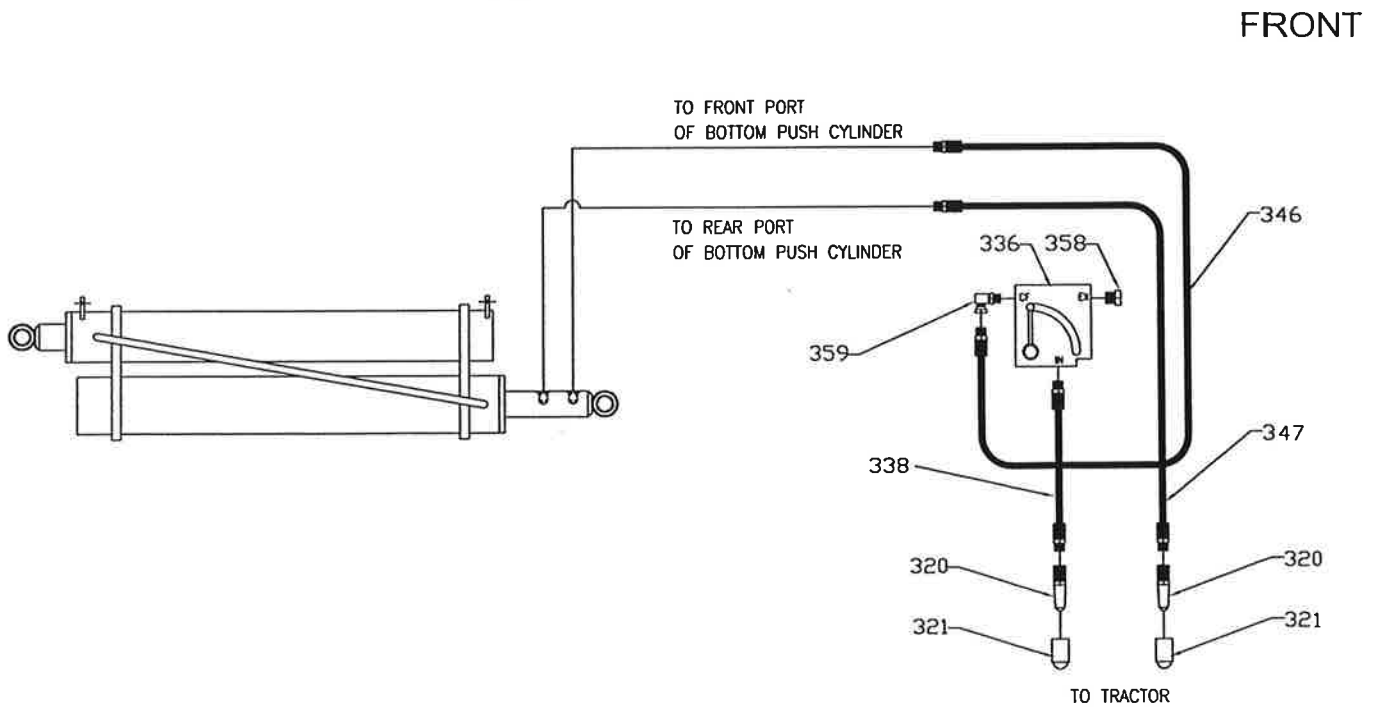
LEON SILVER SPREADER

PUSH CYLINDER / FLOW CONTROL VALVE LAYOUT

OPEN CENTER HYDRAULIC



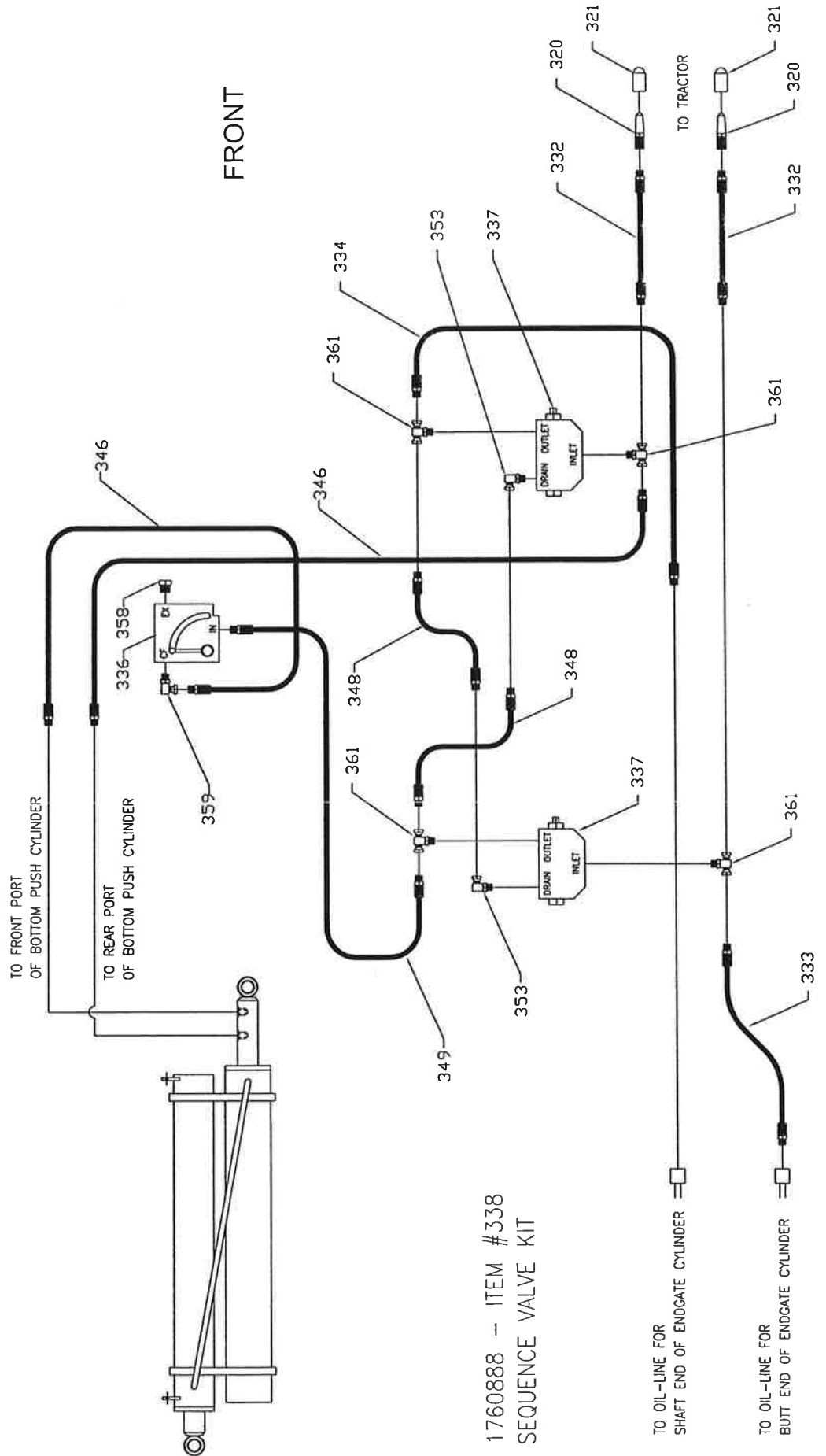
CLOSED CENTER HYDRAULIC



LEON SILVER SPREADER

FLOW CONTROL / SEQUENCE VALVE LAYOUT

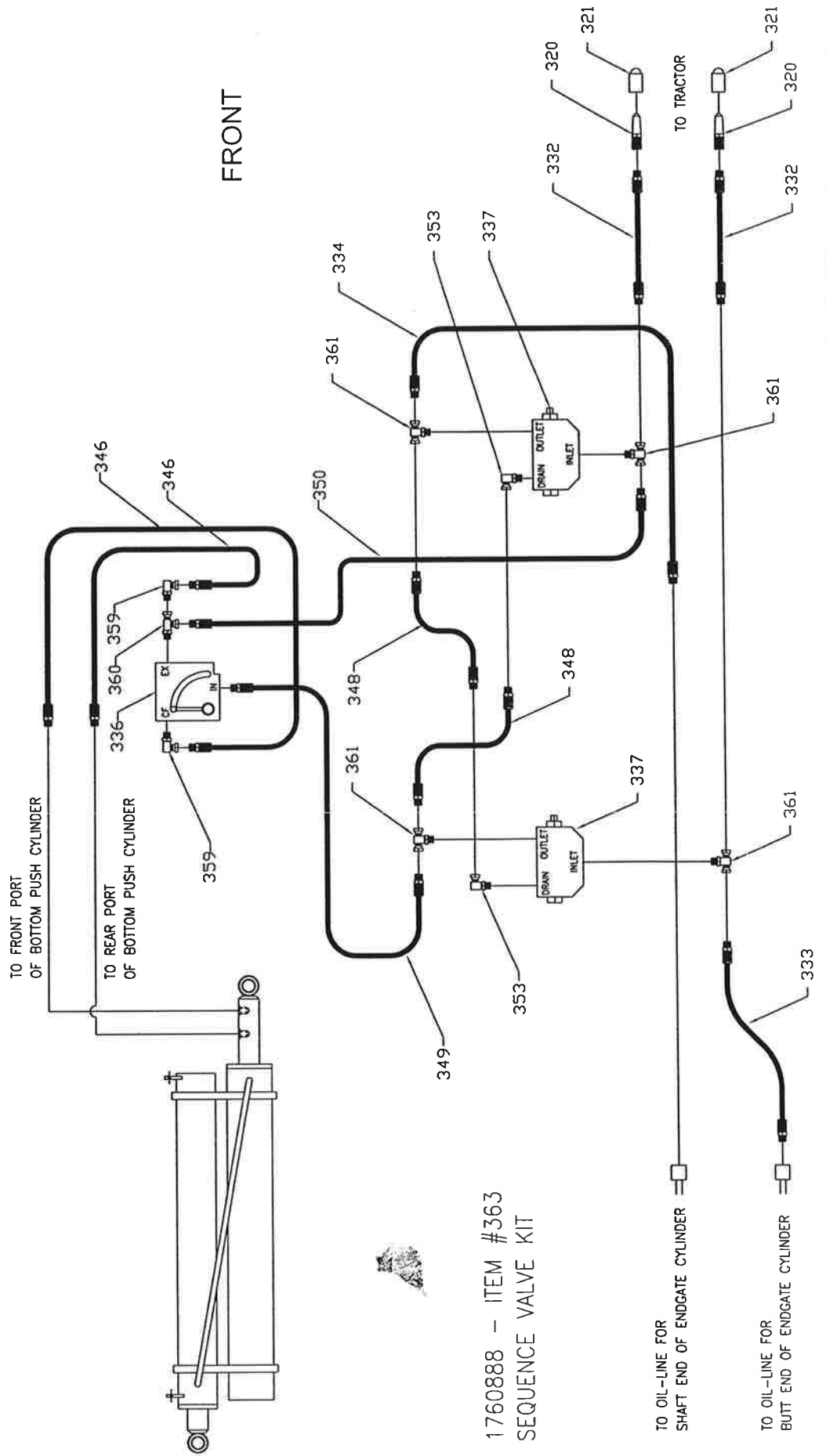
CLOSED CENTER HYDRAULIC



LEON SILVER SPREADER

FLOW CONTROL / SEQUENCE VALVE LAYOUT

OPEN CENTER HYDRAULIC

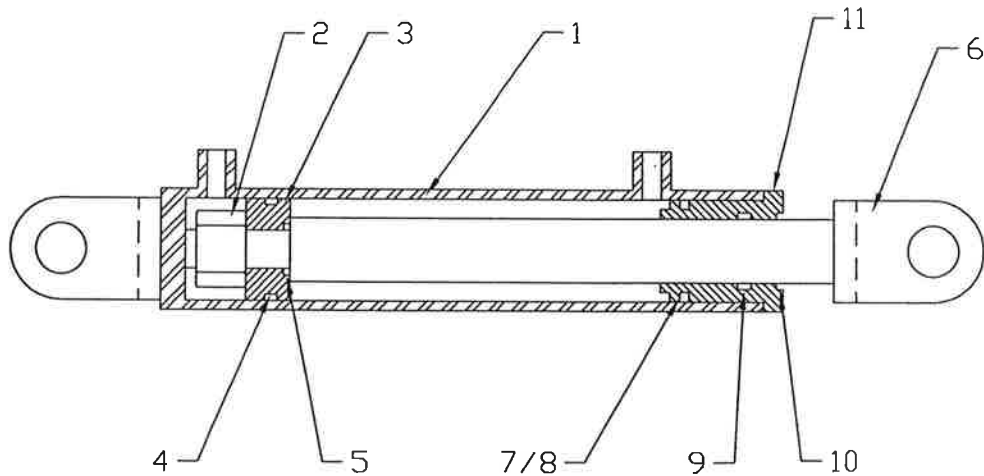


1760888 - ITEM #363
SEQUENCE VALVE KIT

LEON SILVER SPREADER

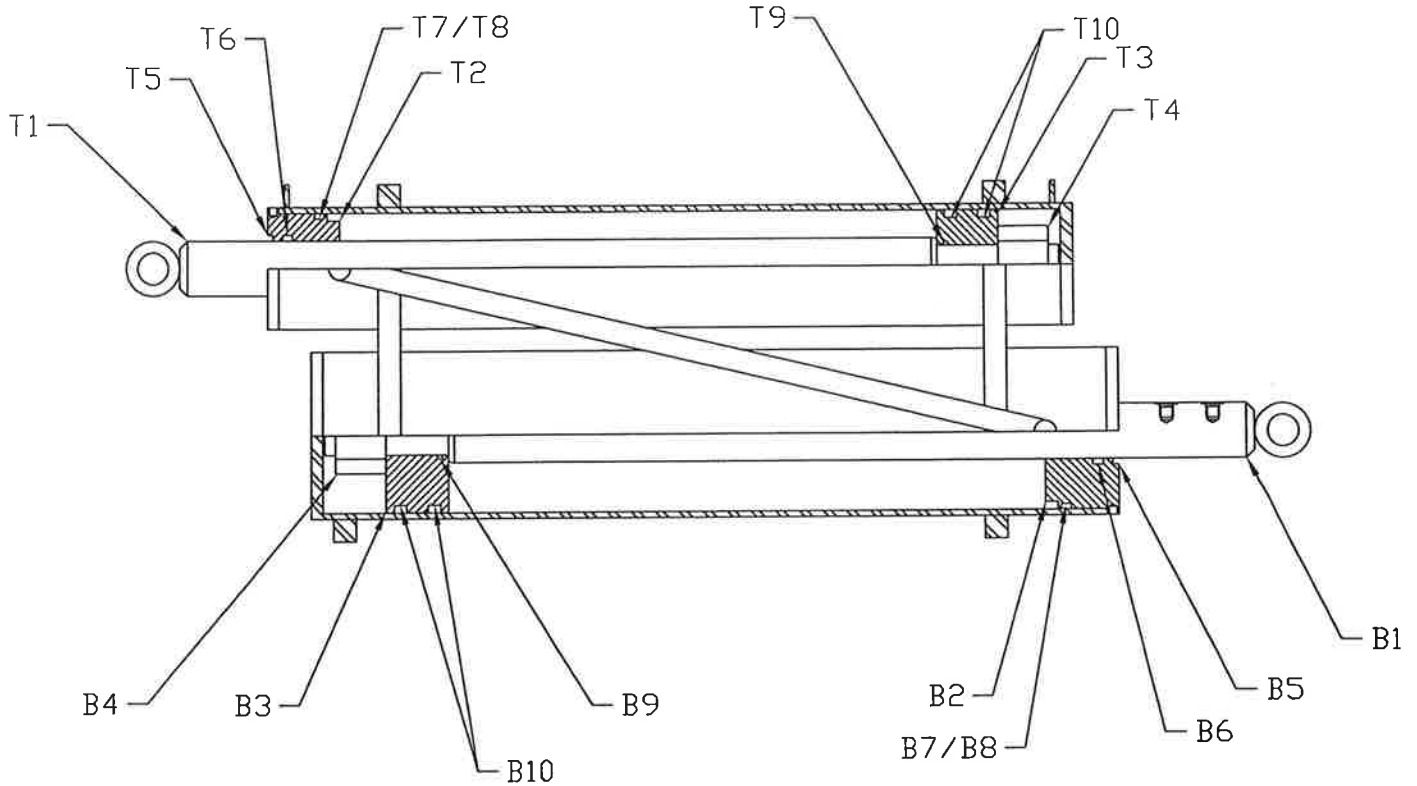
END GATE CYLINDER

-1120070 - 2" X 17"-



| ITEM | PART NO. | DESCRIPTION | QTY |
|------|----------|-------------------------|-----|
| 1 | 1120071 | BARREL | 1 |
| 2 | 1760171 | LOCKNUT | 1 |
| 3 | 1760172 | PISTON | 1 |
| 4 | 1760173 | DYNAMIC PISTON SEAL | 1 |
| 5 | 1760174 | STATIC PISTON SEAL | 1 |
| 6 | 1120072 | SHAFT | 1 |
| 7 | 1760178 | GLAND SEAL | 1 |
| 8 | 1760179 | BACKUP GLAND SEAL | 1 |
| 9 | 1760169 | SHAFT SEAL | 1 |
| 10 | 1760168 | WIPER | 1 |
| 11 | 1760177 | GLAND | 1 |
| | | | |
| | | | |
| | 1120075 | SEAL KIT (4,5,7,8,9,10) | |
| | 1120070 | CYLINDER COMPLETE | |
| | | MODEL NO. R-20L2-17 | |

LEON SILVER SPREADER PUSH CYLINDER 425 - 3.0 / 3.5 X 180



UPPER CYLINDER COMPONENTS

| ITEM | PART NO. | DESCRIPTION | QTY |
|------|----------|--------------------------|-----|
| T1 | 1784317 | SHAFT | 1 |
| T2 | 1760763 | GLAND | 1 |
| T3 | 1760764 | PISTON | 1 |
| T4 | 1760779 | ROD NUT | 1 |
| T5 | 1760780 | WIPER | 1 |
| T6 | 1760781 | SHAFT SEAL | 1 |
| T7 | 1760768 | GLAND SEAL | 1 |
| T8 | 1760769 | BACK-UP | 1 |
| T9 | 1760784 | STATIC PISTON SEAL | 1 |
| T10 | 1760771 | PISTON SEAL | 2 |
| | 1760856 | SEAL KIT (6,7,8,9,10,11) | 1 |

LOWER CYLINDER COMPONENTS

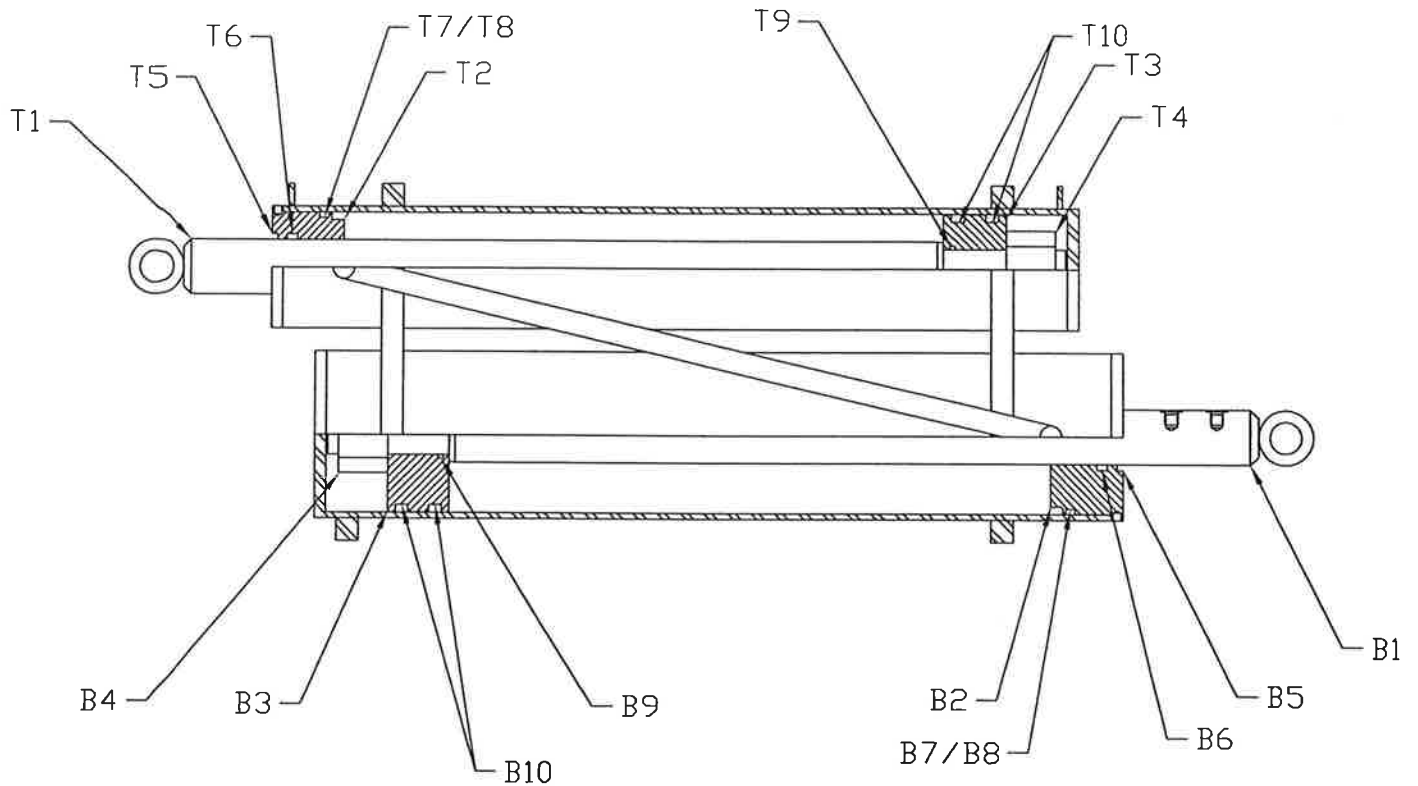
| ITEM | PART NO. | DESCRIPTION | QTY |
|------|----------|--------------------------|-----|
| B1 | 1784318 | SHAFT | 1 |
| B2 | 1784325 | GLAND | 1 |
| B3 | 1784323 | PISTON | 1 |
| B4 | 1760779 | ROD NUT | 1 |
| B5 | 1784331 | WIPER | 1 |
| B6 | 1784330 | SHAFT SEAL | 1 |
| B7 | 1760782 | GLAND SEAL | 1 |
| B8 | 1760783 | BACK-UP | 1 |
| B9 | 1760784 | STATIC PISTON SEAL | 1 |
| B10 | 1760785 | PISTON SEAL | 2 |
| | 1784321 | SEAL KIT (6,7,8,9,10,11) | 1 |

| | | |
|---------|------------------------|---|
| 1784669 | BARREL - 3.0 X 3.5 | 1 |
| 1784670 | CYLINDER COMPLETE | 1 |
| | MODEL NO. R2-3035L-180 | |

LEON SILVER SPREADER

PUSH CYLINDER

575 - 3.5 / 4.0 X 180



UPPER CYLINDER COMPONENTS

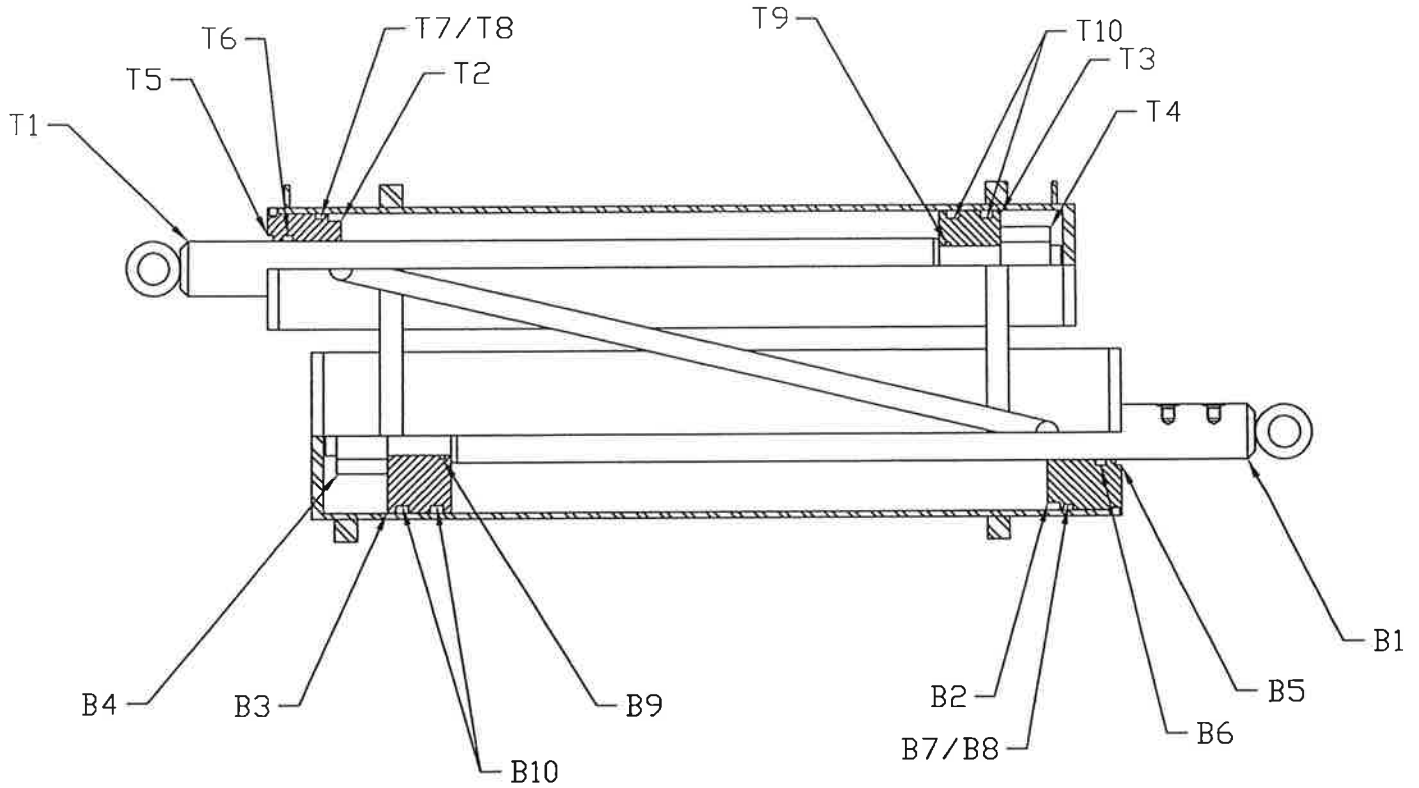
| ITEM | PART NO. | DESCRIPTION | QTY |
|------|----------|--------------------------|-----|
| T1 | 1784963 | SHAFT | 1 |
| T2 | 1784325 | GLAND | 1 |
| T3 | 1784323 | PISTON | 1 |
| T4 | 1760779 | ROD NUT | 1 |
| T5 | 1784331 | WIPER | 1 |
| T6 | 1784330 | SHAFT SEAL | 1 |
| T7 | 1760782 | GLAND SEAL | 1 |
| T8 | 1760783 | BACK-UP | 1 |
| T9 | 1760784 | STATIC PISTON SEAL | 1 |
| T10 | 1760785 | PISTON SEAL | 2 |
| | 1784321 | SEAL KIT (6,7,8,9,10,11) | 1 |

LOWER CYLINDER COMPONENTS

| ITEM | PART NO. | DESCRIPTION | QTY |
|------|----------|--------------------------|-----|
| B1 | 1784962 | SHAFT | 1 |
| B2 | 1784326 | GLAND | 1 |
| B3 | 1784324 | PISTON | 1 |
| B4 | 1760779 | ROD NUT | 1 |
| B5 | 1784333 | WIPER | 1 |
| B6 | 1784332 | SHAFT SEAL | 1 |
| B7 | 1784328 | GLAND SEAL | 1 |
| B8 | 1784329 | BACK-UP | 1 |
| B9 | 1760784 | STATIC PISTON SEAL | 1 |
| B10 | 1784327 | PISTON SEAL | 2 |
| | 1784322 | SEAL KIT (6,7,8,9,10,11) | 1 |

| | | |
|---------|------------------------|---|
| 1784961 | BARREL - 3.5 X 4.0 | 1 |
| 1784960 | CYLINDER COMPLETE | 1 |
| | MODEL NO. R2-3540L-180 | |

LEON SILVER SPREADER PUSH CYLINDER 655 / 755 - 4.0 / 4.5 X 180



UPPER CYLINDER COMPONENTS

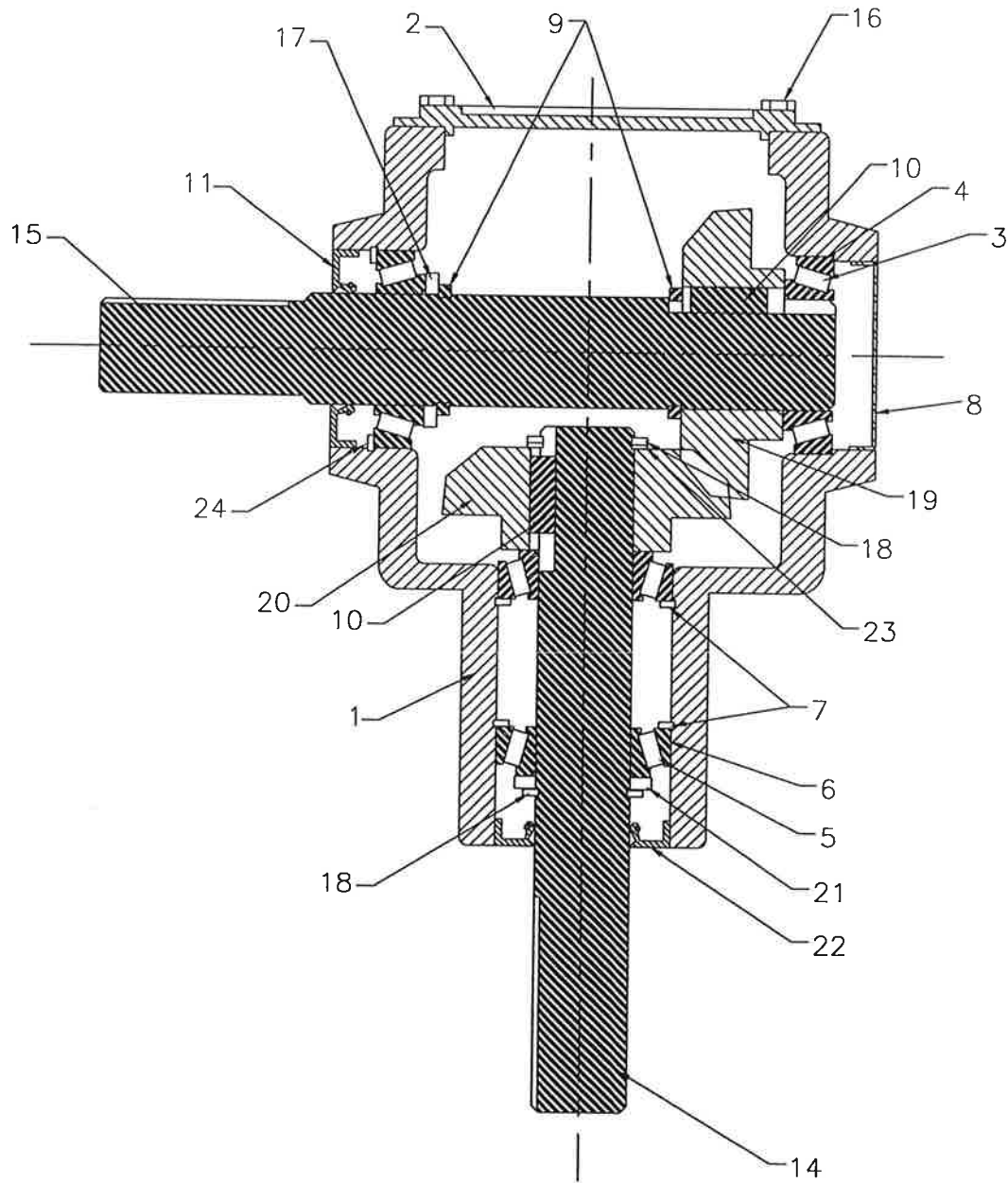
| ITEM | PART NO. | DESCRIPTION | QTY |
|------|----------|--------------------------|-----|
| T1 | 1784319 | SHAFT | 1 |
| T2 | 1784326 | GLAND | 1 |
| T3 | 1784324 | PISTON | 1 |
| T4 | 1760779 | ROD NUT | 1 |
| T5 | 1784333 | WIPER | 1 |
| T6 | 1784332 | SHAFT SEAL | 1 |
| T7 | 1784328 | GLAND SEAL | 1 |
| T8 | 1784329 | BACK-UP | 1 |
| T9 | 1760784 | STATIC PISTON SEAL | 1 |
| T10 | 1784327 | PISTON SEAL | 2 |
| | 1784322 | SEAL KIT (6,7,8,9,10,11) | 1 |

LOWER CYLINDER COMPONENTS

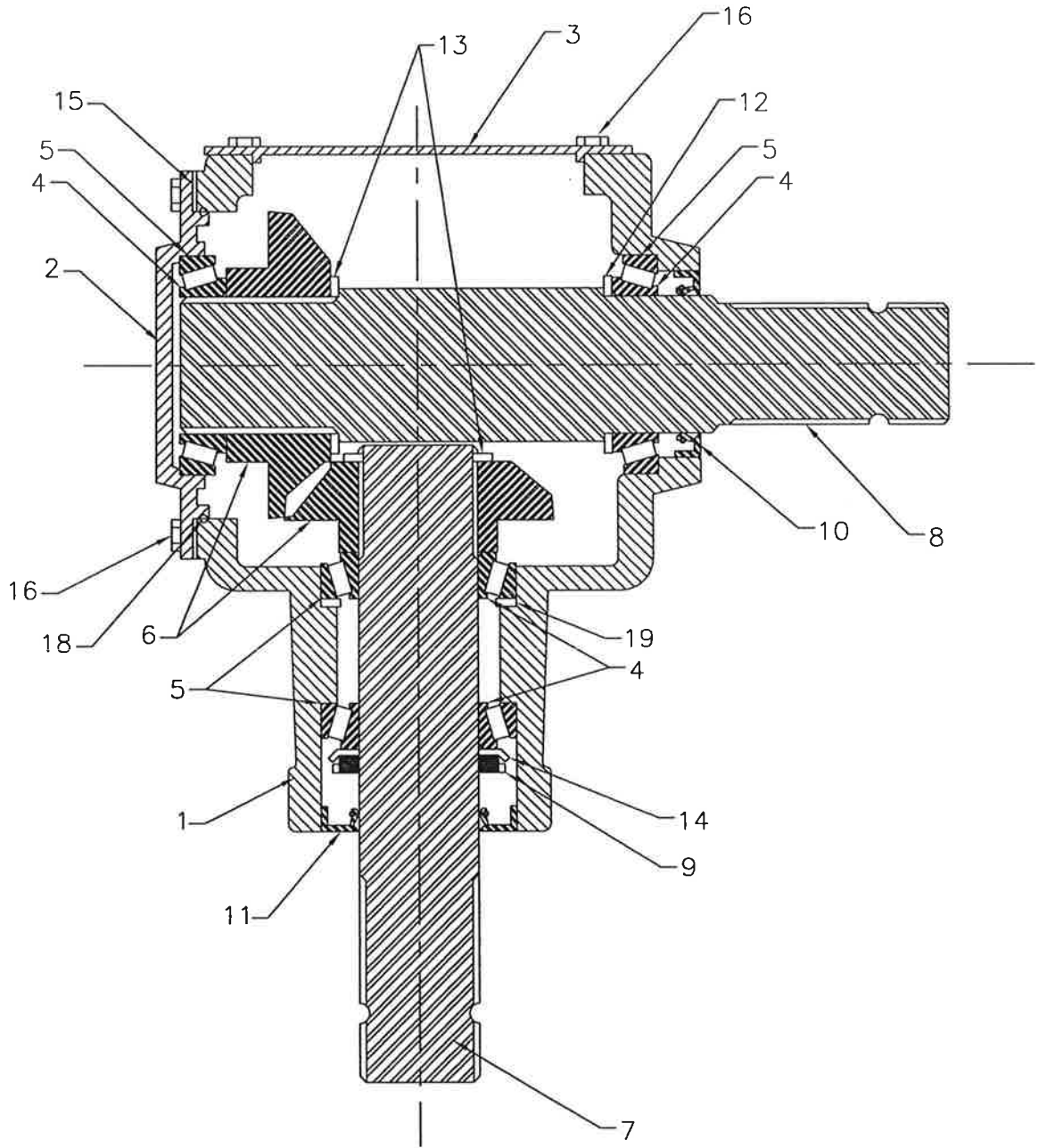
| ITEM | PART NO. | DESCRIPTION | QTY |
|------|----------|--------------------------|-----|
| B1 | 1784458 | SHAFT | 1 |
| B2 | 1784461 | GLAND | 1 |
| B3 | 1784459 | PISTON | 1 |
| B4 | 1784462 | ROD NUT | 1 |
| B5 | 1760199 | WIPER | 1 |
| B6 | 1760196 | SHAFT SEAL | 1 |
| B7 | 1760197 | GLAND SEAL | 1 |
| B8 | 1760198 | BACK-UP | 1 |
| B9 | 1760195 | STATIC PISTON SEAL | 1 |
| B10 | 1760194 | PISTON SEAL | 2 |
| | 1784460 | SEAL KIT (6,7,8,9,10,11) | 1 |

| | | |
|---------|------------------------|---|
| 1784664 | BARREL - 4.0 X 4.5 | 1 |
| 1784665 | CYLINDER COMPLETE | 1 |
| | MODEL NO. R2-4045L-180 | |

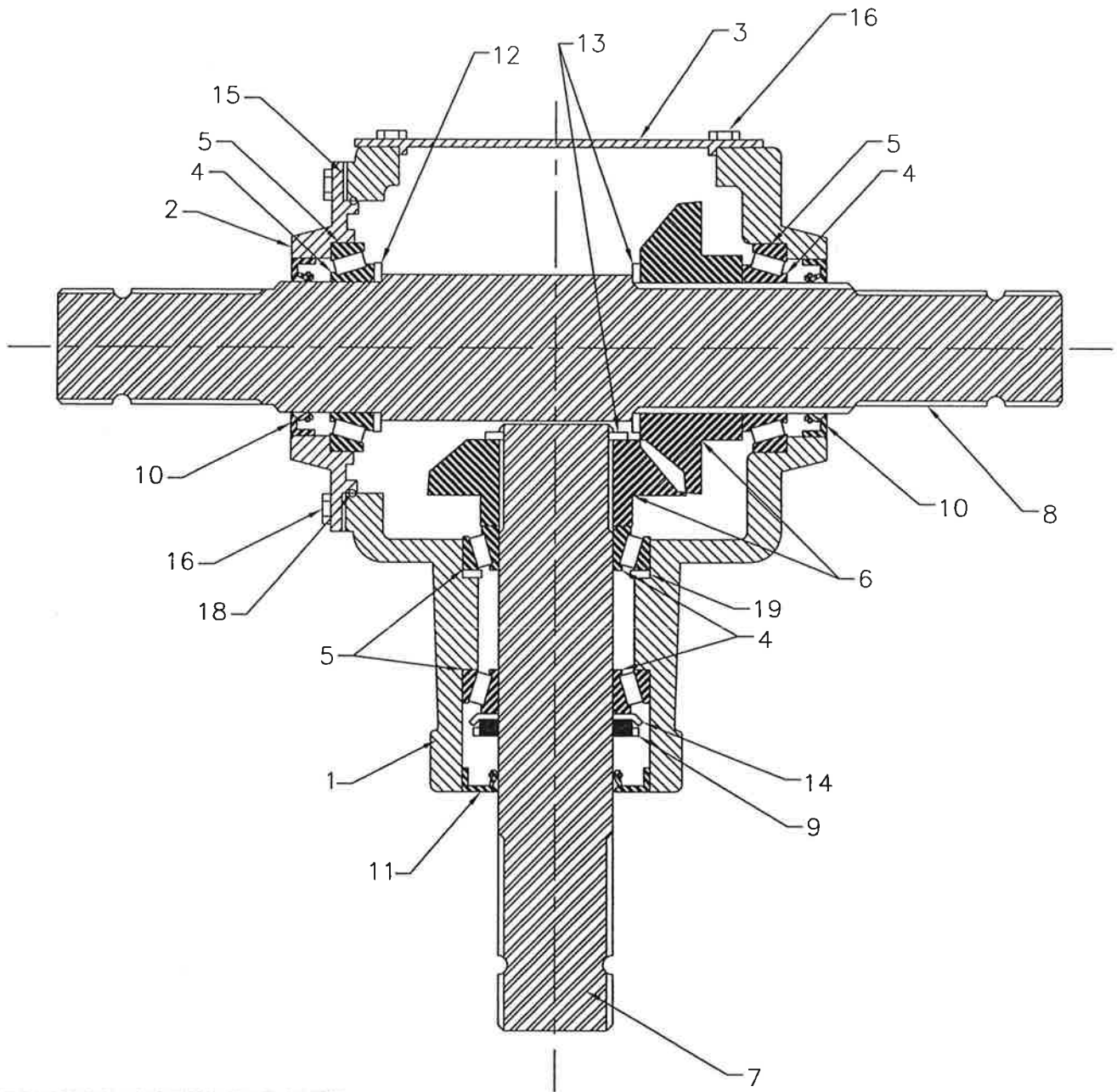
LEON SILVER SPREADER GEARBOX - 5190



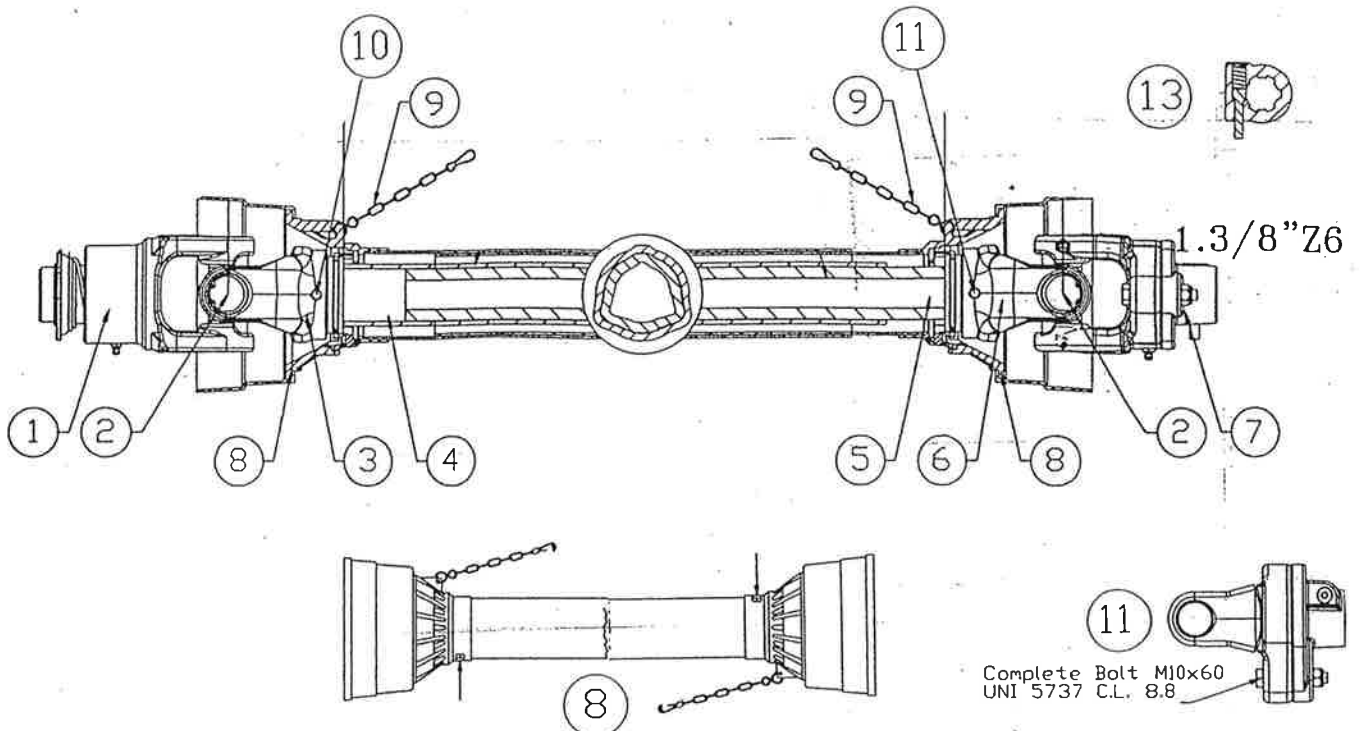
LEON SILVER SPREADER GEARBOX - 6190 - 038



LEON SILVER SPREADER GEARBOX - 6190 - 039



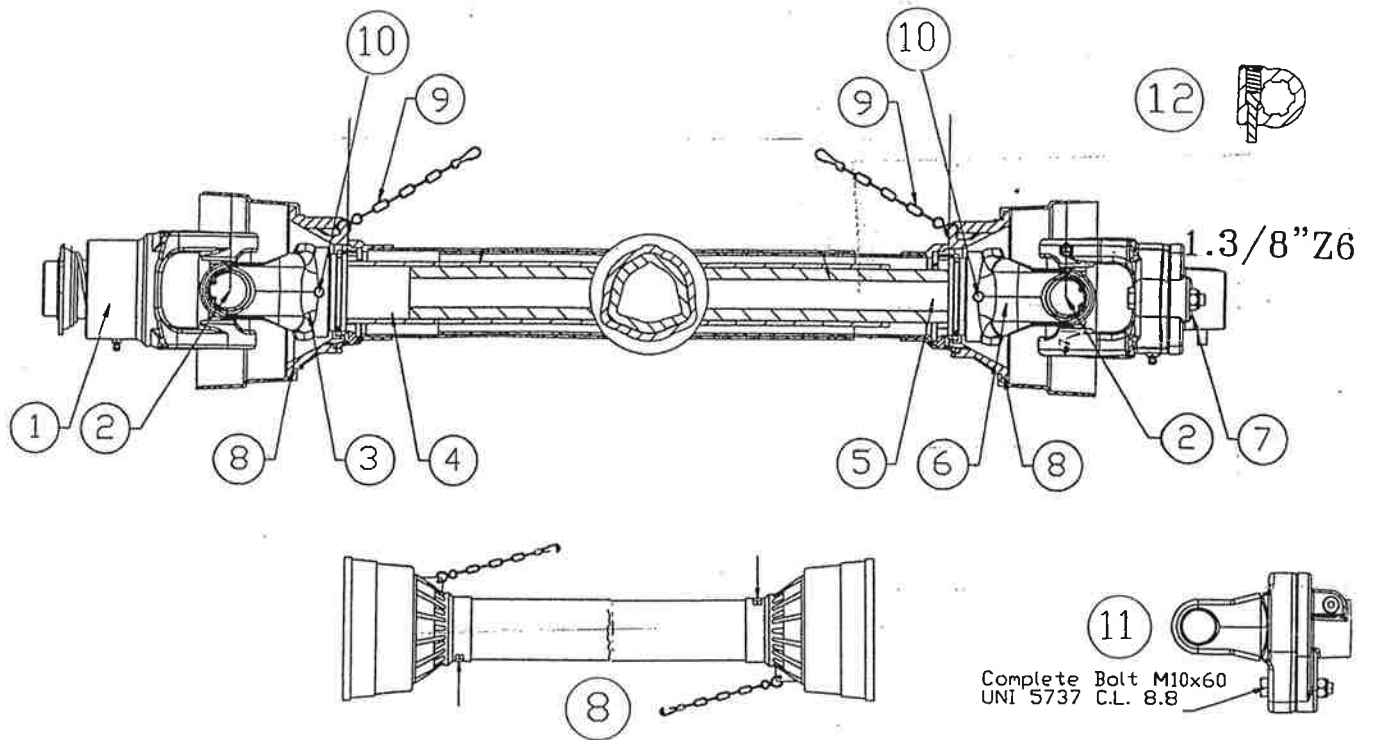
LEON SILVER SPREADER PTO DRIVE LINE



| ITEM # | PART # | DESCRIPTION |
|--------|---------|--|
| 1 | 1760645 | YOKE - 540 RPM - 1 3/8" -6 SPLINE |
| 1 | 1760646 | YOKE - 1000 RPM - 1 3/8" -21 SPLINE |
| 1 | 1760644 | YOKE - 1000 RPM - 1 3/4" -20 SPLINE |
| 2 | 1760647 | CROSS KIT - UNIVERSAL JOINT |
| 3 | 1760648 | YOKE - OUTER TELESCOPIC TUBE |
| 4 | 1760650 | DRIVE TUBE - OUTER TELESCOPIC |
| 5 | 1760651 | DRIVE TUBE - INNER TELESCOPIC |
| 6 | 1760653 | YOKE - INNER TELESCOPIC TUBE |
| 7 | 1760654 | YOKE - SHEAR BOLT - 1 3/8" -6 SPLINE |
| 8 | 1760664 | SHIELD KIT - COMPLETE |
| 9 | 1760665 | CHAIN - PTO SHIELD |
| 10 | 1760649 | ROLL PIN - FRONT |
| 11 | 1760652 | ROLL PIN - REAR |
| 12 | 1760663 | SHEAR BOLT - W/NUT - 10MM X 55MM - GR 8.8 |
| 13 | 1760661 | PUSH PIN KIT |
| | 1760868 | DRIVELINE HALF - SHEAR BOLT - 1 3/8" -6 SPLINE |
| | 1760869 | DRIVELINE HALF - 540 RPM - 1 3/8" -6 SPLINE |
| | 1760871 | DRIVELINE HALF - 1000 RPM - 1 3/8" -21 SPLINE |
| | 1760873 | DRIVELINE HALF - 1000 RPM - 1 3/4" -20 SPLINE |
| | 1760446 | PTO - 540 RPM - 1 3/8" -6 SPLINE - COMPLETE ASSY |
| | 1760447 | PTO - 1000 RPM - 1 3/8" -21 SPLINE - COMPLETE ASSY |
| | 1760448 | PTO - 1000 RPM - 1 3/4" -20 SPLINE - COMPLETE ASSY |

LEON SILVER SPREADER

PTO DRIVE LINE



| ITEM # | PART # | DESCRIPTION |
|--------|---------|--|
| 1 | 1785173 | YOKE - 1000 RPM - 1 3/8" -21 SPLINE - W/CLUTCH |
| 1 | 1785174 | YOKE - 1000 RPM - 1 3/4" -20 SPLINE - W/CLUTCH |
| 2 | 1785176 | CROSS KIT - UNIVERSAL JOINT |
| 3 | 1785177 | YOKE - OUTER TELESCOPIC TUBE |
| 4 | 1785179 | DRIVE TUBE - OUTER TELESCOPIC |
| 5 | 1785181 | DRIVE TUBE - INNER TELESCOPIC |
| 6 | 1785178 | YOKE - INNER TELESCOPIC TUBE |
| 7 | 1785175 | YOKE - SHEAR BOLT - 1 3/8" -6 SPLINE |
| 8 | 1785180 | SHIELD KIT - COMPLETE |
| 9 | 1785182 | CHAIN - PTO SHIELD |
| 10 | 1785184 | ROLL PIN - 10MM X 80MM |
| 11 | 1785183 | SHEAR BOLT - W/NUT - 10MM X 60MM - GR 8.8 |
| 12 | 1785188 | PUSH PIN KIT |
| | 1785185 | DRIVELINE HALF - SHEAR BOLT - 1 3/8" -6 SPLINE |
| | 1785186 | DRIVELINE HALF - 1000 RPM - 1 3/8" -21 SPLINE |
| | 1785187 | DRIVELINE HALF - 1000 RPM - 1 3/4" -20 SPLINE |
| | 1785171 | PTO - 1000 RPM - 1 3/8" -21 SPLINE - COMPLETE ASSY |
| | 1785172 | PTO - 1000 RPM - 1 3/4" -20 SPLINE - COMPLETE ASSY |

**LEON SILVER SPREADER
PARTS LIST**

| ITEM # | PART # | DESCRIPTION | QUANTITY / UNIT | | | | |
|--------|---------|--------------------------------------|-----------------|-------|-----|-----|-----|
| | | | 425 | 425RS | 575 | 655 | 755 |
| 1 | 1784505 | MAIN FRAME - 425 | 1 | - | - | - | - |
| 2 | 1785105 | MAIN FRAME - 425 RS | - | 1 | - | - | - |
| 3 | 1784870 | MAIN FRAME - 575 | - | - | 1 | - | - |
| 4 | 1784850 | MAIN FRAME - 655 | - | - | - | 1 | - |
| 4A | 1784555 | MAIN FRAME - 755 | - | - | - | - | 1 |
| 5 | 1784040 | A - FRAME | - | - | - | 1 | 1 |
| 6 | 1760261 | TANDEM AXLE - STANDARD | 2 | - | - | - | - |
| 7 | 1760727 | TANDEM AXLE - DROP - RIGHT | 1 | - | - | - | - |
| 8 | 1760728 | TANDEM AXLE - DROP - LEFT | 1 | - | - | - | - |
| 9 | 1785126 | TANDEM AXLE - STANDARD - HD | - | 2 | 2 | - | - |
| 10 | 1784090 | TANDEM AXLE - DROP - RIGHT - HD | - | 1 | 1 | 1 | 1 |
| 11 | 1784100 | TANDEM AXLE - DROP - LEFT - HD | - | 1 | 1 | 1 | 1 |
| 12 | 1760278 | BUSHING - AXLE PIVOT | 4 | - | - | - | - |
| 13 | 1784038 | BUSHING - AXLE PIVOT - HD | - | 4 | 4 | 4 | 4 |
| 14 | 1760826 | AXLE RETAINER | 2 | - | - | - | - |
| 15 | 1784102 | AXLE RETAINER - HD | - | 2 | 2 | 2 | 2 |
| 16 | 1135420 | HUB - COMPLETE ASSEMBLY | 4 | - | - | - | - |
| 17 | 1135529 | HUB - COMPLETE ASSEMBLY - HD | - | 4 | 4 | 4 | 4 |
| 18 | 1760509 | RIM - 11.75 X 22.5 -8 BOLT | 4 | 4 | 4 | 4 | 4 |
| 19 | 1760495 | TIRE - 16.5 X 22.5 | 4 | 4 | 4 | 4 | 4 |
| 20 | 1135156 | VALVE STEM | 4 | 4 | 4 | 4 | 4 |
| 21 | 1784309 | HITCH JACK - SQUARE HD | 1 | 1 | 1 | 1 | 1 |
| 22 | 1173411 | MOUNT TUBE - HITCH JACK | 1 | 1 | 1 | 1 | 1 |
| 23 | 1760877 | MOUNT BRACKET - HITCH JACK | 1 | 1 | 1 | 1 | 1 |
| 24 | 1760322 | CHANNEL RAIL - 425 | 2 | 2 | - | - | - |
| 25 | 1784215 | CHANNEL RAIL - 575 / 655 / 755 | - | - | 2 | 2 | 2 |
| 26 | 1760469 | SMV MOUNT BRACKET | 1 | 1 | 1 | 1 | 1 |
| 27 | 1178885 | SMV EMBLEM | 1 | 1 | 1 | 1 | 1 |
| 28 | 1784335 | SAFETY CHAIN - 40,000 LB | - | - | 1 | 1 | 1 |
| 29 | 1784336 | SAFETY CHAIN - 30,000 LB | 1 | 1 | - | - | - |
| 30 | 1760352 | FRONT SHIELD COVER - 425 | 1 | 1 | - | - | - |
| 31 | 1784128 | FRONT SHIELD COVER - 575 / 655 / 755 | - | - | 1 | 1 | 1 |
| 32 | 1784382 | SHIELD - CYLINDER - 425 | 1 | 1 | - | - | - |
| 33 | 1784384 | SHIELD - CYLINDER - 575 / 655 / 755 | - | - | 1 | 1 | 1 |
| 34 | 1784385 | GUIDE - CYLINDER SHIELD - 425 | 1 | 1 | - | - | - |
| 35 | 1784400 | GUIDE - CYLINDER SHIELD - 585/755 | - | - | 1 | 1 | 1 |
| 36 | 1784403 | PLATE - CYLINDER SHIELD MOUNT | 1 | 1 | 1 | 1 | 1 |
| 37 | 1784334 | SPACER - CYLINDER GUIDE | 2 | 2 | 2 | 2 | 2 |
| 38 | 1784222 | PLATE - HITCH CLAMP | - | - | 2 | 2 | 2 |
| 39 | 1784415 | BRACKET - WARNING LIGHT - RIGHT | 1 | 1 | 1 | 1 | 1 |
| 40 | 1784416 | BRACKET - WARNING LIGHT - LEFT | 1 | 1 | 1 | 1 | 1 |
| 41 | 1784410 | LIGHT - WARNING - AMBER/AMBER | 2 | 2 | 2 | 2 | 2 |
| 42 | 1784411 | LIGHT -WARNING - RED | 1 | 1 | 1 | 1 | 1 |
| 43 | 1784420 | WIRING HARNESS - WARNING LIGHTS | 1 | 1 | 1 | 1 | 1 |
| 43A | 3000122 | PLASTIC TIE - BLACK - 6" | 10 | 10 | 10 | 10 | 10 |
| 44 | 1784413 | LENS - AMBER | 4 | 4 | 4 | 4 | 4 |
| 45 | 1784414 | LENS - RED | 1 | 1 | 1 | 1 | 1 |
| 46 | 1784427 | PLUG - HOUSING - 7-WAY CONNECTOR | 1 | 1 | 1 | 1 | 1 |
| 47 | 1784428 | GUARD - 7-WAY CONNECTOR | 1 | 1 | 1 | 1 | 1 |
| 48 | 1784429 | PLUG - INTERIOR - 7-WAY CONNECTOR | 1 | 1 | 1 | 1 | 1 |

**LEON SILVER SPREADER
PARTS LIST**

| ITEM # | PART # | DESCRIPTION | QUANTITY / UNIT | | | | |
|--------|---------|------------------------------------|-----------------|-------|-----|-----|-----|
| | | | 425 | 425RS | 575 | 655 | 755 |
| 49 | 1760713 | I - BEAM - CENTER - 425 | 1 | 1 | 1 | - | - |
| 50 | 1785125 | I - BEAM - SIDE - 425 RS | - | 2 | - | - | - |
| 51 | 1784085 | I - BEAM - CENTER - 655 / 755 | - | - | - | 1 | 1 |
| 52 | 1784088 | I - BEAM - SIDE - 655 / 755 | - | - | - | 2 | 2 |
| 53 | 1760379 | SLIDE - PUSH GATE (SHORT) | - | 2 | - | 2 | 2 |
| 54 | 1784986 | SLIDE - PUSH GATE (LONG) | 1 | 1 | 1 | 1 | 1 |
| 55 | 1760385 | SLIDE BLOCK - NYLON | 8 | 20 | 10 | 22 | 22 |
| 56 | 1760711 | PUSH GATE - 425H | 1 | - | - | - | - |
| 56A | 1784880 | PUSH GATE - 575H | - | - | 1 | - | - |
| 57 | 1785120 | PUSH GATE - 425 RSH | - | 1 | - | - | - |
| 58 | 1784795 | PUSH GATE - 425V | 1 | - | - | - | - |
| 58A | 1784890 | PUSH GATE - 575V | - | - | 1 | - | - |
| 59 | 1785140 | PUSH GATE - 425 RSV | - | 1 | - | - | - |
| 60 | 1784900 | PUSH GATE - 655H | - | - | - | 1 | - |
| 60A | 1784107 | PUSH GATE - 755H | - | - | - | - | 1 |
| 61 | 1784911 | PUSH GATE - 655V | - | - | - | 1 | - |
| 61A | 1784916 | PUSH GATE - 755V | - | - | - | - | 1 |
| 62 | 1760895 | EXTENSION - PUSH GATE - 425 / 575 | 1 | 1 | 1 | - | - |
| 63 | 1784925 | EXTENSION - PUSH GATE - 425V | 1 | - | - | - | - |
| 63A | 1784926 | EXTENSION - PUSH GATE - 575V | - | 1 | - | - | - |
| 64 | 1785145 | EXTENSION - PUSH GATE - 425 RSV | - | - | 1 | - | - |
| 65 | 1784105 | EXTENSION - PUSH GATE - 655 / 755 | - | - | - | 1 | 1 |
| 66 | 1784927 | EXTENSION - PUSH GATE - 655V | - | - | - | 1 | - |
| 66A | 1784928 | EXTENSION - PUSH GATE - 755V | - | - | - | - | 1 |
| 67 | 1760558 | SEAL - PUSH GATE - CORNER | 2 | 2 | 2 | 2 | 2 |
| 68 | 1760555 | SEAL - PUSH GATE - BOTTOM | 2 | - | 2 | - | - |
| 69 | 1760557 | SEAL - PUSH GATE - SIDE | 2 | 2 | - | - | - |
| 70 | 1784119 | SEAL - PUSH GATE - SIDE | - | - | 2 | - | 2 |
| 71 | 1785031 | SEAL - PUSH GATE - SIDE | - | - | - | 2 | - |
| 72 | 1785124 | SEAL - PUSH GATE - BOTTOM - OUTER | - | 2 | - | - | - |
| 73 | 1785123 | SEAL - PUSH GATE - BOTTOM - INNER | - | 2 | - | - | - |
| 74 | 1784115 | SEAL - PUSH GATE - BOTTOM - OUTER | - | - | - | 2 | 2 |
| 75 | 1784117 | SEAL - PUSH GATE - BOTTOM - INNER | - | - | - | 2 | 2 |
| 76 | 1760554 | SEAL HOLDER - PUSH GATE - BOTTOM | 2 | - | 2 | - | - |
| 77 | 1760556 | SEAL HOLDER - PUSH GATE - SIDE | 2 | 2 | - | - | - |
| 78 | 1784120 | SEAL HOLDER - PUSH GATE - SIDE | - | - | 2 | - | 2 |
| 79 | 1785030 | SEAL HOLDER - PUSH GATE - SIDE | - | - | - | 2 | - |
| 80 | 1785144 | SEAL HOLDER - PUSH GATE - OUTER | - | 2 | - | - | - |
| 81 | 1785143 | SEAL HOLDER - PUSH GATE - INNER | - | 2 | - | - | - |
| 82 | 1784116 | SEAL HOLDER - PUSH GATE - OUTER | - | - | - | 2 | 2 |
| 83 | 1784118 | SEAL HOLDER - PUSH GATE - INNER | - | - | - | 2 | 2 |
| 84 | 1784670 | CYLINDER - PUSH GATE - 425 | 1 | 1 | - | - | - |
| 85 | 1784960 | CYLINDER - PUSH GATE - 575 | - | - | 1 | - | - |
| 86 | 1784665 | CYLINDER - PUSH GATE - 655 / 755 | - | - | - | 1 | 1 |
| 87 | 1760936 | CYLINDER SUPPORT - REAR - 425 | 1 | 1 | - | - | - |
| 88 | 1760940 | CYLINDER GUIDE - FRONT - 425 | 1 | 1 | - | - | - |
| 89 | 1784123 | CYLINDER SUPPORT - 575 | - | - | 2 | - | - |
| 90 | 1784432 | CYLINDER SUPPORT - 655 / 755 | - | - | - | 2 | 2 |
| 91 | 1102433 | CLAMP - CYLINDER - 4" (MUFLER) | 4 | 4 | 2 | - | - |
| 92 | 1102432 | CLAMP - CYLINDER - 3 1/2" (MUFLER) | 2 | 2 | - | - | - |

**LEON SILVER SPREADER
PARTS LIST**

| ITEM # | PART # | DESCRIPTION | QUANTITY / UNIT | | | | |
|--------|---------|--|-----------------|---------|---------|---------|---------|
| | | | 425 | 425RS | 575 | 655 | 755 |
| 93 | 1784126 | CLAMP U-BOLT - CYLINDER - 4 1/2" ID | - | - | 4 | 2 | 2 |
| 94 | 1784441 | CLAMP U-BOLT - CYLINDER - 5" ID | - | - | - | 4 | 4 |
| 95 | 1760702 | SPACER - CYLINDER GUIDE | 1 | 1 | - | - | - |
| 96 | 1760703 | STOP - CYLINDER GUIDE | 2 | 2 | - | - | - |
| 97 | 1760353 | PIN - CYLINDER - FRONT - 1" DIA | 1 | 1 | - | - | - |
| 98 | 1707140 | PIN - CYLINDER - REAR - 1" DIA | 1 | 1 | - | - | - |
| 99 | 1784163 | PIN - CYLINDER - FRONT - 1 1/4" DIA | - | - | 1 | 1 | 1 |
| 100 | 1784164 | PIN - CYLINDER - REAR - 1 1/4" DIA | - | - | 1 | 1 | 1 |
| 101 | 1760731 | LINER BOARD - BOTTOM | 24 | 24 | 24 | 28 | 28 |
| 102 | 1760735 | LINER BOARD - SIDE - FRONT | 12 | 12 | 18 | 16 | 18 |
| 103 | 1760737 | LINER BOARD - SIDE - REAR | 12 | 12 | 18 | 16 | 18 |
| 104 | 1760591 | HOLDDOWN - BOARD - BOTTOM / END | 4 | - | 4 | - | - |
| 105 | 1785109 | HOLDDOWN - BOARD - BOTTOM / INNER | - | 4 | - | - | - |
| 106 | 1785108 | HOLDDOWN - BOARD - BOTTOM / OUTER | - | 4 | - | - | - |
| 107 | 1784171 | HOLDDOWN - BOARD - BOTTOM / INNER | - | - | - | 4 | 4 |
| 108 | 1784172 | HOLDDOWN - BOARD - BOTTOM / OUTER | - | - | - | 4 | 4 |
| 109 | 1760592 | HOLDDOWN - BOARD - BOTTOM / CENTER | 2 | - | 2 | - | - |
| 110 | 1785119 | HOLDDOWN - BOARD - BOTTOM / INNER | - | 2 | - | - | - |
| 111 | 1785118 | HOLDDOWN - BOARD - BOTTOM / OUTER | - | 2 | - | - | - |
| 112 | 1784174 | HOLDDOWN - BOARD - BOTTOM / INNER | - | - | - | 2 | 2 |
| 113 | 1784175 | HOLDDOWN - BOARD - BOTTOM / OUTER | - | - | - | 2 | 2 |
| 114 | 1760595 | HOLDDOWN - BOARD - SIDE / END | 4 | 4 | - | - | - |
| 115 | 1784173 | HOLDDOWN - BOARD - SIDE / END | - | - | 4 | - | 4 |
| 115A | 1785034 | HOLDDOWN - BOARD - SIDE / END | - | - | - | 4 | - |
| 116 | 1760596 | HOLDDOWN - BOARD - SIDE / CENTER | 2 | 2 | - | - | - |
| 117 | 1784176 | HOLDDOWN - BOARD - SIDE / CENTER | - | - | 2 | - | 2 |
| 117A | 1785033 | HOLDDOWN - BOARD - SIDE / CENTER | - | - | - | 2 | - |
| 118 | 1784445 | HOLDDOWN - BOARD - SIDE / MID | - | - | 8 | 8 | 8 |
| 119 | 1784811 | HOLDDOWN CLAMP - I-BEAM - SINGLE | 9 | 26 | 9 | 30 | 30 |
| 120 | 1784812 | HOLDDOWN CLAMP - I-BEAM - DOUBLE | 1 | 3 | 1 | 3 | 3 |
| 121 | 1760749 | GUARD - GEARBOX | 1 | 1 | 1 | - | - |
| 121A | 1784157 | GUARD - GEARBOX | - | - | - | 1 | 1 |
| 122 | 1784305 | TAB - LATCH | As Rq'd | As Rq'd | As Rq'd | As Rq'd | As Rq'd |
| 123 | 1784300 | LATCH ASSEMBLY | As Rq'd | As Rq'd | As Rq'd | As Rq'd | As Rq'd |
| 124 | 1784057 | HINGE | As Rq'd | As Rq'd | As Rq'd | As Rq'd | As Rq'd |
| 125 | 1760446 | PTO -540 RPM -1 3/8-6 SPLINE | As Rq'd | As Rq'd | As Rq'd | As Rq'd | As Rq'd |
| 125A | 1760447 | PTO -1000 RPM -1 3/8-21 SPLINE | As Rq'd | As Rq'd | As Rq'd | As Rq'd | As Rq'd |
| 125B | 1760448 | PTO -1000 RPM -1 3/4-20 SPLINE | As Rq'd | As Rq'd | As Rq'd | As Rq'd | As Rq'd |
| 126 | 1785171 | PTO -w/CLUTCH -1000 RPM -1 3/8-21 SPLINE | As Rq'd | As Rq'd | As Rq'd | As Rq'd | As Rq'd |
| 126A | 1785172 | PTO -w/CLUTCH -1000 RPM -1 3/4-20 SPLINE | As Rq'd | As Rq'd | As Rq'd | As Rq'd | As Rq'd |
| 127 | 1760867 | DRIVE SHAFT - PTO | 1 | - | 1 | 1 | 1 |
| 128 | 1760751 | DRIVE SHAFT - PTO - FRONT | - | 1 | - | - | - |
| 129 | 1760752 | DRIVE SHAFT - PTO - REAR | - | 1 | - | - | - |
| 130 | 1760431 | GEAR BOX - '5190' - 90 ANGLE | 1 | 1 | 1 | 1 | 1 |
| 131 | 1784785 | GEAR BOX - '6190' - 90 ANGLE | 1 | 1 | 1 | 1 | 1 |
| 132 | 1784780 | GEAR BOX - '6190' - T | - | - | - | 1 | 1 |
| 133 | 1760714 | DRIVE SHAFT - CROSS - 425 / 575 | 1 | 1 | 1 | - | - |
| 134 | 1784129 | DRIVE SHAFT - CROSS - 655 / 755 | - | - | - | 1 | 1 |
| 135 | 1760817 | STOP - CROSS DRIVE SHAFT - 425 / 575 | 1 | 1 | 1 | - | - |
| 136 | 1784058 | STOP - CROSS DRIVE SHAFT - 655 / 755 | - | - | - | 2 | 2 |

**LEON SILVER SPREADER
PARTS LIST**

| ITEM # | PART # | DESCRIPTION | QUANTITY / UNIT | | | | |
|--------|---------|---|-----------------|---------|---------|---------|---------|
| | | | 425 | 425RS | 575 | 655 | 755 |
| 137 | 1784456 | STOP - PTO DRIVE SHAFT | 1 | 1 | 1 | 1 | 1 |
| 138 | 1760721 | GUARD - PTO - REAR - 425 / 575 | 1 | 1 | 1 | - | - |
| 138A | 1784194 | GUARD - PTO - REAR - 655 / 755 | - | - | - | 1 | 1 |
| 139 | 1760722 | GUARD - PTO - FRONT - 425 / 575 | 1 | 1 | 1 | - | - |
| 139A | 1784193 | GUARD - PTO - FRONT - 655 / 755 | - | - | - | 1 | 1 |
| 140 | 1784454 | BEARING - ASSY -1 3/8 DIA -ECCENTRIC | 6 | 6 | 6 | 6 | 6 |
| 140A | | ECCENTRIC COLLAR - 1 3/8 DIA | 6 | 6 | 6 | 6 | 6 |
| 141 | 1784455 | BEARING - ASSY -1 3/4 DIA -ECCENTRIC | 5 | 5 | 5 | 5 | 7 |
| 141A | | ECCENTRIC COLLAR - 1 3/4 DIA | 5 | 5 | 5 | 5 | 7 |
| 142 | 1784955 | BEARING - ASSY -2 DIA -ECCENTRIC | - | - | - | 4 | 4 |
| 142A | | ECCENTRIC COLLAR - 2 DIA | - | - | - | 4 | 4 |
| 143 | 1760829 | SHIM - 1 3/8 BEARING ASSY | As Rq'd | As Rq'd | As Rq'd | As Rq'd | As Rq'd |
| 144 | 1760849 | SHIM - 1 3/4 BEARING ASSY | As Rq'd | As Rq'd | As Rq'd | As Rq'd | As Rq'd |
| 145 | 1784956 | BUSHING - SPLIT TAPER - Q1 X 2 | - | - | - | 2 | 2 |
| 146 | 1760388 | BUSHING - SPLIT TAPER - Q1 X 1 3/4 | 1 | 1 | 1 | 1 | 1 |
| 147 | 1760387 | BUSHING - SPLIT TAPER - P1 X 1 3/4 | 2 | 2 | 2 | 2 | 2 |
| 148 | 1760860 | BUSHING - SPLIT TAPER - P1 X 1 3/8 | 4 | 4 | 4 | 4 | 4 |
| 149 | 1760861 | COUPLING SLEEVE -CSP -P1 | 2 | 2 | 2 | 2 | 2 |
| 150 | 1760729 | KEY - SQUARE - 5/16 | As Rq'd | As Rq'd | As Rq'd | As Rq'd | As Rq'd |
| 151 | 1760730 | KEY - SQUARE - 3/8 | As Rq'd | As Rq'd | As Rq'd | As Rq'd | As Rq'd |
| 152 | 1760799 | KEY - SQUARE - 1/2 | - | - | - | 2 | 2 |
| 153 | 1784786 | COUPLER - SPLINED - 1 3/4 -20 SPLINE | - | - | - | 1 | 1 |
| 154 | 1760392 | SPROCKET - #60-14T (2) -(1000 RPM) | 1 | 1 | 1 | 1 | 1 |
| 154A | 1760393 | SPROCKET - #60-20T (2) -(540 RPM) | 1 | 1 | 1 | 1 | 1 |
| 155 | 1784931 | SPROCKET - #80-16T (2) -(1000 RPM) | 1 | 1 | 1 | 1 | 1 |
| 156 | 1760391 | SPROCKET - #60-36T (2) -28T (1) - (1000) | 1 | - | - | - | - |
| 156A | 1760390 | SPROCKET - #60-28T (3) - (540) | 1 | - | - | - | - |
| 157 | 1785167 | SPROCKET - #60-36T (2) - #80-20T (1) - (1000) | - | 1 | - | - | - |
| 157A | 1785166 | SPROCKET - #60-28T (2) - #80-20T (1) - (540) | - | 1 | - | - | - |
| 158 | 1784447 | SPROCKET - #60-36T (2) -24T (1) - (1000) | - | - | 1 | 1 | 1 |
| 158A | 1784446 | SPROCKET - #60-28T (2) -24T (1) - (540) | - | - | 1 | 1 | 1 |
| 159 | 1760386 | SPROCKET - #60-28T (1) | 1 | - | - | - | - |
| 160 | 1785170 | SPROCKET - #80-20T (1) | - | 1 | - | - | - |
| 161 | 1784450 | SPROCKET - #60-36T (1) | - | - | 1 | 1 | 1 |
| 162 | 1784947 | SPROCKET - #80-20T (2) - SPLINED | 1 | 1 | 1 | 2 | 2 |
| 163 | 1784949 | SPROCKET - #80-24T (2) - SPLINED | 1 | 1 | 1 | - | - |
| 164 | 1784958 | SPROCKET - #80-28T (2) - SPLINED | - | - | - | 1 | 1 |
| 165 | 1784936 | SPROCKET - #80-36T (2) | 2 | 2 | 2 | 1 | 1 |
| 166 | 1784950 | SPROCKET - IDLER - #80-14T - W/BEARING | 12 | 12 | 12 | 8 | 8 |
| 167 | 1784838 | SPROCKET - IDLER SHAFT - #80-14T (2) | 2 | 2 | 2 | 2 | 2 |
| 168 | 1760341 | IDLER - CHAIN - LOWER (DOUBLE) | 1 | 1 | 2 | 2 | 2 |
| 169 | 1760340 | IDLER - CHAIN - UPPER (SINGLE) | 1 | 1 | - | - | - |
| 170 | 1760338 | PLATE - IDLER TIGHTENER - 1/2" BOLT | 2 | 2 | 2 | 2 | 2 |
| 171 | 1760339 | PLATE - IDLER FASTENER - 1/2" BOLT | 2 | 2 | 2 | 2 | 2 |
| 172 | 1784817 | PLATE - IDLER TIGHTENER - 3/4" BOLT | 1 | 1 | 1 | 2 | 2 |
| 173 | 1784818 | PLATE - IDLER FASTENER - 3/4" BOLT | 1 | 1 | 1 | 2 | 2 |
| 174 | 1784444 | COLLAR - BEATER SHAFT | 4 | 4 | 4 | 4 | 4 |
| 175 | 1102658 | SETSCREW - 5/16 UNC X 5/16 | As Rq'd | As Rq'd | As Rq'd | As Rq'd | As Rq'd |
| 176 | 1784443 | SETSCREW - 3/8 UNC X 3/8 | As Rq'd | As Rq'd | As Rq'd | As Rq'd | As Rq'd |
| 177 | 1102703 | SETSCREW - 1/2 UNC X 1/2 | As Rq'd | As Rq'd | As Rq'd | As Rq'd | As Rq'd |

**LEON SILVER SPREADER
PARTS LIST**

| ITEM # | PART # | DESCRIPTION | QUANTITY / UNIT | | | | |
|--------|---------|---|-----------------|-------|-----|-----|-----|
| | | | 425 | 425RS | 575 | 655 | 755 |
| 178 | 1760487 | CHAIN - #60 DOUBLE X 92 LKS -(1000 RPM) | 1 | 1 | - | - | - |
| 178A | 1760486 | CHAIN - #60 DOUBLE X 90 LKS -(540 RPM) | 1 | 1 | - | - | - |
| 179 | 1784294 | CHAIN - #60H SINGLE X 94 LKS | 1 | - | - | - | - |
| 180 | 1785165 | CHAIN - #80 SINGLE X 70 LKS | - | 1 | - | - | - |
| 181 | 1764287 | CHAIN - #60 DOUBLE X 96 LKS -(1000 RPM) | - | - | 1 | 1 | 1 |
| 181A | 1784286 | CHAIN - #60 DOUBLE X 94 LKS -(540 RPM) | - | - | 1 | 1 | 1 |
| 182 | 1784297 | CHAIN - #60H SINGLE X 116 LKS | - | - | 1 | 1 | 1 |
| 183 | 1784783 | CHAIN - #80 DOUBLE X 74 LKS | - | - | - | 1 | 1 |
| 184 | 1784784 | CHAIN - #80 DOUBLE X 108 LKS | - | - | - | 1 | 1 |
| 185 | 1784781 | CHAIN - #80 DOUBLE X 150 LKS | 1 | 1 | 1 | - | - |
| 186 | 1784782 | CHAIN - #80 DOUBLE X 224 LKS | 1 | 1 | - | - | - |
| 186A | 1784671 | CHAIN - #80 DOUBLE X 260 LKS | - | - | 1 | - | - |
| 187 | 1784957 | CHAIN - #80 DOUBLE X 264 LKS | - | - | - | 1 | 1 |
| 188 | 1113349 | LINK - CONNECTOR - #60H SINGLE | 1 | 1 | 1 | 1 | 1 |
| 188A | 1113376 | LINK - CONNECTOR - #60 SINGLE | 1 | 1 | 1 | 1 | 1 |
| 189 | 1113352 | LINK - OFFSET - #60H SINGLE | 1 | 1 | 1 | 1 | 1 |
| 190 | 1113370 | LINK - CONNECTOR - #60 DOUBLE | 1 | 1 | 1 | 1 | 1 |
| 191 | 1113369 | LINK - OFFSET - #60 DOUBLE | 1 | 1 | 1 | 1 | 1 |
| 192 | 1113353 | LINK - CONNECTOR - #80 SINGLE | 1 | 1 | 1 | 1 | 1 |
| 193 | 1113354 | LINK - OFFSET - #80 SINGLE | 1 | 1 | 1 | 1 | 1 |
| 194 | 1784985 | LINK - CONNECTOR - #80 DOUBLE | 1 | 1 | 1 | 1 | 1 |
| 195 | 1784984 | LINK - OFFSET - #80 DOUBLE | 1 | 1 | 1 | 1 | 1 |
| 196 | 1760433 | GUARD - BEATER BEARING - 4 1/4 DIA | 4 | - | - | - | - |
| 197 | 1784160 | GUARD - BEATER BEARING - 5 3/4 DIA | 4 | 4 | 4 | 4 | 4 |
| 198 | 1760883 | BEATER - MAIN - w/BLADES / BOLTS | 1 | - | - | - | - |
| 199 | 1760715 | BEATER - UPPER | 1 | - | - | - | - |
| 200 | 1760712 | BEATER - MAIN | 1 | - | - | - | - |
| 201 | 1785155 | BEATER - MAIN -w/BLADES / BOLTS | - | 1 | - | - | - |
| 202 | 1785160 | BEATER - UPPER -w/BLADES / BOLTS | - | 1 | - | - | - |
| 203 | 1785156 | BEATER - MAIN | - | 1 | - | - | - |
| 204 | 1785161 | BEATER - UPPER | - | 1 | - | - | - |
| 205 | 1784861 | BEATER - MAIN -w/BLADES / BOLTS | - | - | 2 | - | - |
| 206 | 1784862 | BEATER - MAIN | - | - | 2 | - | - |
| 207 | 1784139 | BEATER - MAIN -w/BLADES / BOLTS | - | - | - | 2 | 2 |
| 208 | 1784130 | BEATER - MAIN | - | - | - | 2 | 2 |
| 209 | 1784281 | BLADE - BEATER - BOLT-ON | 12 | 12 | 24 | 30 | 30 |
| 210 | 1760363 | HOLDER - BLADE - MAIN BEATER | 12 | - | - | - | - |
| 211 | 1785152 | HOLDER - BLADE - MAIN BEATER | - | 12 | - | - | - |
| 212 | 1784268 | BLADE - BEATER - WELD-ON - 425 | 12 | - | - | - | - |
| 213 | 1785153 | HOLDER - BLADE - UPPER BEATER | - | 12 | - | - | - |
| 214 | 1785154 | BLADE - BEATER - BOLT-ON | - | 12 | - | - | - |
| 215 | 1784136 | HOLDER - BLADE - MAIN BEATER | - | - | 24 | 30 | 30 |
| 216 | 1784610 | BEATER - RIGHT - w/BLADES / BOLTS | 1 | 1 | - | - | - |
| 216A | 1784940 | BEATER - RIGHT - w/BLADES / BOLTS | - | - | 1 | - | - |
| 217 | 1784615 | BEATER - LEFT - w/BLADES / BOLTS | 1 | 1 | - | - | - |
| 217A | 1784943 | BEATER - LEFT - w/BLADES / BOLTS | - | - | 1 | - | - |
| 218 | 1784611 | BEATER - RIGHT - 425 | 1 | 1 | - | - | - |
| 219 | 1784616 | BEATER - LEFT - 425 | 1 | 1 | - | - | - |
| 220 | 1784941 | BEATER - RIGHT - 575 | - | - | 1 | - | - |
| 221 | 1784944 | BEATER - LEFT - 575 | - | - | 1 | - | - |

**LEON SILVER SPREADER
PARTS LIST**

| ITEM # | PART # | DESCRIPTION | QUANTITY / UNIT | | | | |
|--------|---------|---------------------------------------|-----------------|-------|-----|-----|-----|
| | | | 425 | 425RS | 575 | 655 | 755 |
| 223 | 1784635 | BEATER - RIGHT - w/BLADES / BOLTS | - | - | - | 1 | 1 |
| 224 | 1784640 | BEATER - LEFT - w/BLADES / BOLTS | - | - | - | 1 | 1 |
| 225 | 1784636 | BEATER - RIGHT - 655 / 755 | - | - | - | 1 | 1 |
| 226 | 1784641 | BEATER - LEFT - 655 / 755 | - | - | - | 1 | 1 |
| 227 | 1784627 | BLADE - BEATER - BOLT-ON - RIGHT | 12 | 12 | 16 | - | - |
| 228 | 1784628 | BLADE - BEATER - BOLT-ON - LEFT | 13 | 13 | 17 | - | - |
| 229 | 1784787 | BLADE - BEATER - BOLT-ON - SHORT - RT | 2 | 2 | 2 | - | - |
| 230 | 1784620 | BLADE - KICKER - BOLT-ON - RIGHT | 3 | 3 | 3 | - | - |
| 231 | 1784621 | BLADE - KICKER - BOLT-ON - LEFT | 3 | 3 | 3 | - | - |
| 232 | 1784629 | BLADE - BEATER - BOLT-ON - RIGHT | - | - | - | 16 | 16 |
| 233 | 1784630 | BLADE - BEATER - BOLT-ON - LEFT | - | - | - | 17 | 17 |
| 234 | 1784789 | BLADE - BEATER - BOLT-ON - SHORT - RT | - | - | - | 2 | 2 |
| 235 | 1784622 | BLADE - KICKER - BOLT-ON | - | - | - | 6 | 6 |
| 236 | 1784511 | BEATER HOUSING - RIGHT - 425 | 1 | 1 | - | - | - |
| 237 | 1784512 | BEATER HOUSING - LEFT - 425 | 1 | 1 | - | - | - |
| 238 | 1784510 | SUPPORT - BEATER HOUSING - 425 / 575 | 1 | 1 | 1 | - | - |
| 239 | 1784556 | BEATER HOUSING - RIGHT - 575 / 755 | - | - | 1 | - | 1 |
| 239A | 1784847 | BEATER HOUSING - RIGHT - 655 | - | - | - | 1 | - |
| 240 | 1784557 | BEATER HOUSING - LEFT - 575 / 755 | - | - | 1 | - | 1 |
| 240A | 1784848 | BEATER HOUSING - LEFT - 655 | - | - | - | 1 | - |
| 241 | 1784540 | SUPPORT - BEATER HOUSING - 655 / 755 | - | - | - | 1 | 1 |
| 242 | 1784605 | BEATER HOUSING - 425 | 1 | 1 | - | - | - |
| 242A | 1784970 | BEATER HOUSING - 575 | - | - | 1 | - | - |
| 243 | 1784910 | BEATER HOUSING - 655 | - | - | - | 1 | - |
| 243A | 1784915 | BEATER HOUSING - 755 | - | - | - | - | 1 |
| 244 | 1784770 | DEFLECTOR DOOR - 425 | 2 | 2 | - | - | - |
| 244A | 1784980 | DEFLECTOR DOOR - 575 | - | - | 2 | - | - |
| 245 | 1784775 | DEFLECTOR DOOR - 655 / 755 | - | - | - | 2 | 2 |
| 246 | 1784929 | STRAP - DEFLECTOR DOOR | 4 | 4 | 4 | 4 | 4 |
| 247 | 1784840 | HANDLE - SLURRY PAN | 1 | 1 | 1 | 1 | 1 |
| 248 | 1760716 | END GATE - 425 | 1 | - | - | - | - |
| 249 | 1785130 | END GATE - 425RS | - | 1 | - | - | - |
| 250 | 1784885 | END GATE - 575 | - | - | 1 | - | - |
| 251 | 1784905 | END GATE - 655 | - | - | - | 1 | - |
| 251A | 1784140 | END GATE - 755 | - | - | - | - | 1 |
| 252 | 1760452 | PIN - PIVOT - END GATE | 2 | 2 | - | - | - |
| 253 | 1784081 | PIN - PIVOT - END GATE | - | - | 2 | 2 | 2 |
| 254 | 1225620 | PIN - CYLINDER | 4 | 4 | 4 | 4 | 4 |
| 255 | 1500115 | RETAINER - PIN | 8 | 8 | 8 | 8 | 8 |
| 256 | 1784810 | BEATER GUARD KIT - 425 / 575 | 1 | 1 | 1 | - | - |
| 257 | 1784440 | BEATER GUARD KIT - 655 / 755 | - | - | - | 1 | 1 |
| 258 | 1784805 | GUARD - RUBBER - BEATER - 425 / 575 | 4 | 4 | 4 | - | - |
| 259 | 1784405 | GUARD - RUBBER - BEATER - 655 / 755 | - | - | - | 4 | 4 |
| 260 | 1784807 | PIVOT HOLDER - 425 / 575 | 4 | 4 | 4 | - | - |
| 261 | 1784407 | PIVOT HOLDER - 655 / 755 | - | - | - | 4 | 4 |
| 262 | 1784809 | RETAINER PLATE - 425 / 575 | 4 | 4 | 4 | - | - |
| 263 | 1784409 | RETAINER PLATE - 655 / 755 | - | - | - | 4 | 4 |
| 264 | 1784808 | PIVOT PIPE - 425 / 575 | 1 | 1 | 1 | - | - |
| 265 | 1784408 | PIVOT PIPE - 655 / 755 | - | - | - | 1 | 1 |
| 266 | 1784406 | MOUNT BRACKET - BEATER GUARD | 5 | 5 | 5 | 5 | 5 |

**LEON SILVER SPREADER
PARTS LIST**

| ITEM # | PART # | DESCRIPTION | QUANTITY / UNIT | | | | |
|--------|---------|---------------------------------------|-----------------|-------|-----|-----|-----|
| | | | 425 | 425RS | 575 | 655 | 755 |
| 267 | 1760551 | SEAL - END GATE - CORNER | 2 | 2 | 2 | 2 | 2 |
| 268 | 1760549 | SEAL - END GATE - BOTTOM | 2 | - | 2 | - | - |
| 269 | 1760550 | SEAL - END GATE - SIDE | 2 | 2 | - | - | - |
| 270 | 1784169 | SEAL - END GATE - SIDE | - | - | 2 | - | 2 |
| 270A | 1785036 | SEAL - END GATE - SIDE | - | - | - | 2 | - |
| 271 | 1785139 | SEAL - END GATE - BOTTOM - OUTER | - | 2 | - | - | - |
| 272 | 1785138 | SEAL - END GATE - BOTTOM - INNER | - | 2 | - | - | - |
| 273 | 1784165 | SEAL - END GATE - BOTTOM - OUTER | - | - | - | 2 | 2 |
| 274 | 1784167 | SEAL - END GATE - BOTTOM - INNER | - | - | - | 2 | 2 |
| 275 | 1760547 | SEAL HOLDER - END GATE - BOTTOM | 2 | - | 2 | - | - |
| 276 | 1760548 | SEAL HOLDER - END GATE - SIDE | 2 | 2 | - | - | - |
| 277 | 1784170 | SEAL HOLDER - END GATE - SIDE | - | - | 2 | - | 2 |
| 277A | 1785035 | SEAL HOLDER - END GATE - SIDE | - | - | - | 2 | - |
| 278 | 1785137 | SEAL HOLDER - END GATE - OUTER | - | 2 | - | - | - |
| 279 | 1785136 | SEAL HOLDER - END GATE - INNER | - | 2 | - | - | - |
| 280 | 1784166 | SEAL HOLDER - END GATE - OUTER | - | - | - | 2 | 2 |
| 281 | 1784168 | SEAL HOLDER - END GATE - INNER | - | - | - | 2 | 2 |
| 282 | 1760718 | SLURRY PAN - 425 / 575 | 1 | 1 | 1 | - | - |
| 282A | 1784184 | SLURRY PAN - 655 / 755 | - | - | - | 1 | 1 |
| 283 | 1760399 | BRACKET - SLURRY PAN - RIGHT | 1 | 1 | 1 | 1 | 1 |
| 284 | 1760400 | BRACKET - SLURRY PAN - LEFT | 1 | 1 | 1 | 1 | 1 |
| 285 | 1760402 | LOCK PIN - SLURRY PAN | 1 | 1 | 1 | 1 | 1 |
| 286 | 1784800 | SLURRY PAN - 425V | 1 | 1 | - | - | - |
| 286A | 1785000 | SLURRY PAN - 575V | - | - | 1 | - | - |
| 286B | 1785005 | SLURRY PAN - 655V / 755V | - | - | - | 1 | 1 |
| 287 | 1760717 | PIN - RETAINER - SLURRY PAN - H | 1 | 1 | 1 | 1 | 1 |
| 288 | 1785011 | PIN - RETAINER - SLURRY PAN - V | 1 | 1 | 1 | 1 | 1 |
| 289 | 1760356 | SPRING - SLURRY PAN | 1 | 1 | 1 | 1 | 1 |
| 290 | 1760357 | CABLE - 1/8 WIRE - SLURRY PAN | 1 | 1 | 1 | 1 | 1 |
| 291 | 1102416 | CABLE CLAMP - 1/8 WIRE | 2 | 2 | 2 | 2 | 2 |
| 292 | 1760741 | HOLDER - CABLE - SLURRY PAN | 1 | 1 | 1 | 1 | 1 |
| 293 | 1760553 | SEAL - SLURRY PAN - 425 / 575 | 2 | 2 | 2 | 2 | 2 |
| 293A | 1784188 | SEAL - SLURRY PAN - 655 / 755 | 2 | 2 | 2 | 2 | 2 |
| 294 | 1760552 | SEAL HOLDER - SLURRY PAN - 425 / 575 | 2 | 2 | 2 | 2 | 2 |
| 294A | 1784187 | SEAL HOLDER - SLURRY PAN - 655 / 755 | 2 | 2 | 2 | 2 | 2 |
| 295 | 1760265 | SPINDLE - 3 1/8" DIA | 4 | - | - | - | - |
| 296 | 1784199 | SPINDLE - 3 1/2" DIA | - | 4 | 4 | 4 | 4 |
| 297 | 1135513 | HUB - 8 BOLT - 3 1/8" SPINDLE | 4 | - | - | - | - |
| 298 | 1144009 | HUB - 8 BOLT - 3 1/2" SPINDLE - HEAVY | - | 4 | 4 | 4 | 4 |
| 299 | 1135512 | DUST CAP | 4 | - | - | - | - |
| 300 | 1135508 | SEAL - GREASE - 3" | 4 | - | - | - | - |
| 301 | 1135502 | BEARING - INNER CUP | 4 | - | - | - | - |
| 302 | 1135506 | BEARING - INNER CONE | 4 | - | - | - | - |
| 303 | 1135205 | BEARING - OUTER CUP | 4 | - | - | - | - |
| 304 | 1135206 | BEARING - OUTER CONE | 4 | - | - | - | - |
| 305 | 1135397 | WASHER - SPINDLE | 4 | 4 | 4 | 4 | 4 |
| 306 | 1135398 | NUT - HEX CASTELLATED - 1 1/4-12 UNF | 4 | 4 | 4 | 4 | 4 |
| 307 | 1102664 | WHEEL STUD - 5/8 UNF X 2 1/8 | 32 | 32 | 32 | 32 | 32 |
| 308 | 1135505 | WHEEL NUT - TAPERED - 5/8 UNF | 32 | 32 | 32 | 32 | 32 |
| 309 | 1135329 | DUST COVER | - | 4 | 4 | 4 | 4 |

**LEON SILVER SPREADER
PARTS LIST**

| ITEM # | PART # | DESCRIPTION | QUANTITY / UNIT | | | | |
|--------|---------|---|-----------------|-------|-----|-----|-----|
| | | | 425 | 425RS | 575 | 655 | 755 |
| 310 | 1135326 | GASKET - DUST CAP | - | 4 | 4 | 4 | 4 |
| 311 | 1135306 | SEAL - GREASE - 3 3/8" | - | 4 | 4 | 4 | 4 |
| 312 | 1135312 | BEARING - INNER CUP | - | 4 | 4 | 4 | 4 |
| 313 | 1135311 | BEARING - INNER CONE | - | 4 | 4 | 4 | 4 |
| 314 | 1135314 | BEARING - OUTER CUP | - | 4 | 4 | 4 | 4 |
| 315 | 1135313 | BEARING - OUTER CONE | - | 4 | 4 | 4 | 4 |
| 316 | 1707130 | CLAMP - OIL LINE - 2 PIPE | 8 | 8 | 12 | 12 | 12 |
| 317 | 1760814 | CLAMP - OIL LINE - 2 PIPE OFFSET | 3 | 3 | - | - | - |
| 318 | 1707125 | CLAMP - OIL LINE - 4 PIPE | - | - | 4 | 4 | 4 |
| 319 | 1120070 | CYLINDER - END GATE - 2" X 17" | 2 | 2 | 2 | 2 | 2 |
| 320 | 1127184 | COUPLER - MALE - 1/2 FNPT | 2 | 2 | 2 | 2 | 2 |
| 321 | 1127185 | DUST CAP - BLACK - 1/2" | 2 | 2 | 2 | 2 | 2 |
| 322 | 1760456 | HYD. TUBE - FRONT - 425 | 2 | 2 | - | - | - |
| 323 | 1760455 | HYD. TUBE - REAR - 425 | 2 | 2 | - | - | - |
| 324 | 1784181 | HYD. TUBE - FRONT - 655 / 755 | - | - | - | 2 | 2 |
| 324A | 1784981 | HYD. TUBE - FRONT - 575 | - | - | 2 | - | - |
| 325 | 1784182 | HYD. TUBE - FRONT - 575 / 755 | - | - | 1 | - | 1 |
| 325A | 1784982 | HYD. TUBE - FRONT - 655 | - | - | - | 1 | - |
| 326 | 1784183 | HYD. TUBE - FRONT - 575 / 755 | - | - | 1 | - | 1 |
| 326A | 1784983 | HYD. TUBE - FRONT - 655 | - | - | - | 1 | - |
| 327 | 1784180 | HYD. TUBE - REAR - 575 / 655 / 755 | - | - | 2 | 2 | 2 |
| 328 | 1124408 | ADAPTOR - UNION - #8 MJIC | 2 | 2 | 4 | 4 | 4 |
| 329 | 1123030 | HYD. HOSE -3/8 X 72 -1/2 MNPT X 3/8 MNPT | 2 | 2 | 2 | 2 | 2 |
| 330 | 1784764 | HYD. HOSE -3/8 X 48 -#8 MJIC X #8 MJIC | 2 | 2 | 2 | 2 | 2 |
| 331 | 1784746 | HYD. HOSE -3/8 X 30 -#6 ORBM-SW X #8FJIC | 2 | 2 | 2 | 2 | 2 |
| 332 | 1760474 | HYD. HOSE -3/8 X 72 -1/2 MNPT X 1/2 MNPT | - | - | - | - | - |
| 333 | 1122760 | HYD. HOSE -3/8 X 30 -1/2 MNPT X #8 MJIC | - | - | - | - | - |
| 334 | 1122761 | HYD. HOSE -3/8 X 48 -1/2 MNPT X #8 MJIC | - | - | - | - | - |
| 335 | 1784750 | SEQUENCE VALVE - PARKER - DUAL | 1 | 1 | 1 | 1 | 1 |
| 336 | 1760472 | VALVE - FLOW CONTROL - FC-55 | - | - | - | - | - |
| 337 | 1127070 | SEQUENCE VALVE | - | - | - | - | - |
| 338 | 1760464 | HYD. HOSE -3/8 X 31 -3/8 MNPT X #8 MJIC | 1 | 1 | - | - | - |
| 339 | 1124647 | HYD. HOSE -3/8 X 24 -3/8 MNPT X #8 MJIC | 1 | 1 | - | - | - |
| 340 | 1122525 | HYD. HOSE -3/8 X 132 -3/8 MNPT X 3/8 MNPT | 1 | 1 | - | - | - |
| 341 | 1122526 | HYD. HOSE -3/8 X 101 -3/8 MNPT X 3/8 MNPT | 1 | 1 | - | - | - |
| 342 | 1123151 | HYD. HOSE -3/8 X 48 -3/8 MNPT X #8 MJIC | - | - | 1 | 1 | 1 |
| 343 | 1760464 | HYD. HOSE -3/8 X 31 -3/8 MNPT X #8 MJIC | - | - | 1 | 1 | 1 |
| 344 | 1124635 | HYD. HOSE -3/8 X 192 -3/8 MNPT X 3/8 MNPT | - | - | 1 | 1 | 1 |
| 345 | 1123171 | HYD. HOSE -3/8 X 162 -3/8 MNPT X 3/8 MNPT | - | - | 1 | 1 | 1 |
| 346 | 1784192 | HYD. HOSE -3/8 X 36 -1/2 MNPT X #6 MORB | - | - | - | - | - |
| 347 | 1123328 | HYD. HOSE -3/8 X 77 -1/2 MNPT X #6 MORB | - | - | - | - | - |
| 348 | 1122764 | HYD. HOSE -3/8 X 30 -3/8 MNPT X 1/2 MNPT | - | - | - | - | - |
| 349 | 1122762 | HYD. HOSE -3/8 X 24 -1/2 MNPT X 1/2 MNPT | - | - | - | - | - |
| 350 | 1122763 | HYD. HOSE -3/8 X 48 -1/2 MNPT X 1/2 MNPT | - | - | - | - | - |
| 351 | 1123381 | TEE - 3/8 FNPT(2) X 3/8 MNPT | 1 | 1 | 2 | 2 | 2 |
| 352 | 1122883 | TEE - 3/8 FNPT(2) X 3/8 MNPT | 1 | 1 | - | - | - |
| 353 | 1122879 | ELBOW - 90 -3/8 MNPT X #8 FNPT-SW | 2 | 2 | 4 | 4 | 4 |
| 354 | 1122995 | ELBOW - 90 - #8 MORB X 3/8 FNPT-SW | 2 | 2 | 2 | 2 | 2 |
| 355 | 1124405 | ELBOW - 90 - #8 MJIC X #8 FJIC-SW | 2 | 2 | 2 | 2 | 2 |
| 356 | 1123210 | ELBOW - 90 - #8 MORB X #8 MJIC | 2 | 2 | 2 | 2 | 2 |

**LEON SILVER SPREADER
PARTS LIST**

| ITEM # | PART # | DESCRIPTION | QUANTITY / UNIT | | | | |
|--------|---------|--|-----------------|-------|-----|-----|-----|
| | | | 425 | 425RS | 575 | 655 | 755 |
| 357 | 1123212 | CONNECTOR - #8 MJIC X #8 MORB | 2 | 2 | 2 | 2 | 2 |
| 358 | 1122948 | PLUG - 1/2 MNPT - HEX HEAD | - | - | - | - | - |
| 359 | 1122952 | ELBOW - 90 -1/2 MNPT X 1/2 FNPT-SW | - | - | - | - | - |
| 360 | 1124478 | TEE - 1/2 FNPT(2) X 1/2 MNPT | - | - | - | - | - |
| 361 | 1122953 | TEE - 1/2 FNPT(2) -SW X 1/2 MNPT | - | - | - | - | - |
| 362 | 1784745 | SEQUENCE VALVE KIT - PARKER | - | - | - | - | - |
| 363 | 1760888 | SEQUENCE VALVE KIT - FC-55 | - | - | - | - | - |
| 364 | 1122759 | GREASE FITTING - 1/4-28 UNF - STRAIGHT | 2 | 2 | 2 | 2 | 2 |
| 365 | 1122793 | GREASE FITTING - 1/4-28 UNF - ELBOW | - | - | - | - | - |
| 366 | 1122797 | GREASE FITTING - 1/8-27 NPT - STRAIGHT | 2 | 2 | 4 | 4 | 4 |
| 367 | 1760467 | GREASE LINE HOSE | 2 | 2 | 2 | 2 | 2 |
| 368 | 1120052 | UNION ADAPTOR - 1/8-27 FNPT | 2 | 2 | 2 | 2 | 2 |
| 369 | 1784425 | SAFETY LIGHT KIT | - | - | - | - | - |
| 370 | 1102753 | COTTER PIN - 1 1/4" X 2 1/2" | 4 | 4 | 4 | 4 | 4 |
| 371 | 1102798 | ROLL PIN - 3/16 X 1 1/2 | 2 | 2 | 2 | 2 | 2 |
| 372 | 1102774 | HAIR PIN - 3/16 | 1 | 1 | 1 | 1 | 1 |
| 373 | 1101937 | BOLT - HEX HEAD - 1/4 UNC X 4 | 2 | 2 | 2 | 2 | 2 |
| 374 | 1101949 | BOLT - HEX HEAD - 5/16 UNC X 3/4 | - | - | 16 | 16 | 16 |
| 375 | 1101950 | BOLT - HEX HEAD - 5/16 UNC X 1 | 2 | 2 | 2 | 2 | 2 |
| 376 | 1101963 | BOLT - HEX HEAD - 5/16 UNC X 2 1/4 | 2 | 2 | 2 | - | - |
| 377 | 1101955 | BOLT - HEX HEAD - 5/16 UNC X 2 1/2 | 2 | 2 | - | - | - |
| 378 | 1101995 | BOLT - HEX HEAD - 3/8 UNC X 1 | 4 | 4 | 4 | 4 | 4 |
| 379 | 1101998 | BOLT - HEX HEAD - 3/8 UNC X 1 1/4 | 76 | 76 | 80 | 92 | 102 |
| 380 | 1102002 | BOLT - HEX HEAD - 3/8 UNC X 1 1/2 | 10 | 10 | 10 | 10 | 10 |
| 381 | 1102004 | BOLT - HEX HEAD - 3/8 UNC X 2 1/2 | 2 | 2 | 2 | 2 | 2 |
| 382 | 1102005 | BOLT - HEX HEAD - 3/8 UNC X 3 | - | - | 2 | 2 | 2 |
| 383 | 1102049 | BOLT - HEX HEAD - 1/2 UNC X 1 | 2 | 2 | 2 | - | - |
| 384 | 1102051 | BOLT - HEX HEAD - 1/2 UNC X 1 1/2 | 50 | 78 | 84 | 90 | 96 |
| 385 | 1102052 | BOLT - HEX HEAD - 1/2 UNC X 1 3/4 | 52 | 68 | 52 | 68 | 72 |
| 386 | 1102053 | BOLT - HEX HEAD - 1/2 UNC X 2 | 8 | 8 | 8 | 8 | 8 |
| 387 | 1102056 | BOLT - HEX HEAD - 1/2 UNC X 3 | 2 | 2 | 2 | - | - |
| 388 | 1784290 | BOLT - HEX HEAD - 1/2 UNC X 4 - FULL THR | 5 | 5 | 5 | 6 | 6 |
| 389 | 1102058 | BOLT - HEX HEAD - 1/2 UNC X 4 | 5 | 5 | 5 | 2 | 2 |
| 390 | 1102059 | BOLT - HEX HEAD - 1/2 UNC X 4 1/2 | 10 | 10 | 2 | 2 | 2 |
| 391 | 1102060 | BOLT - HEX HEAD - 1/2 UNC X 5 | - | - | 10 | 10 | 10 |
| 392 | 1102064 | BOLT - HEX HEAD - 1/2 UNC X 7 | 2 | 2 | 2 | 2 | 2 |
| 393 | 1102070 | BOLT - HEX HEAD - 1/2 UNC X 10 | 1 | 1 | 1 | 1 | 1 |
| 394 | 1102101 | BOLT - HEX HEAD - 5/8 UNC X 2 1/2 | 18 | 26 | 26 | 28 | 30 |
| 395 | 1102103 | BOLT - HEX HEAD - 5/8 UNC X 1 3/4 | 66 | 66 | 82 | 82 | 82 |
| 396 | 1102109 | BOLT - HEX HEAD - 5/8 UNC X 5 1/2 | 2 | 6 | 2 | 6 | 6 |
| 397 | 1102151 | BOLT - HEX HEAD - 3/4 UNC X 2 | 1 | 1 | 1 | 2 | 2 |
| 398 | 1102152 | BOLT - HEX HEAD - 3/4 UNC X 2 1/2 | - | - | - | 18 | 18 |
| 399 | 1102158 | BOLT - HEX HEAD - 3/4 UNC X 5 1/2 | 6 | 6 | 6 | 4 | 4 |
| 400 | 1102252 | BOLT - HEX HEAD - 1 UNC X 2 1/2 | 4 | 4 | 4 | 4 | 4 |
| 401 | 1102255 | BOLT - HEX HEAD - 1 UNC X 4 | 2 | 2 | 2 | 2 | 2 |
| 402 | 1102263 | BOLT - HEX HEAD - 1 UNC X 9 | - | - | - | 4 | 4 |
| 403 | 1102379 | BOLT - CARRIAGE HEAD - 3/8 UNC X 1 1/2 | 8 | 8 | 8 | 8 | 8 |
| 404 | 1102392 | BOLT - CARRIAGE HEAD - 3/8 UNC X 1 3/4 | 48 | 48 | 60 | 56 | 64 |
| 405 | 1102373 | BOLT - CARRIAGE HEAD - 3/8 UNC X 2 | 44 | 48 | 70 | 96 | 96 |
| 406 | 1102398 | BOLT - CARRIAGE HEAD - 1/2 UNC X 2 | 8 | 8 | 8 | 8 | 8 |

**LEON SILVER SPREADER
PARTS LIST**

| ITEM # | PART # | DESCRIPTION | QUANTITY / UNIT | | | | |
|--------|---------|---------------------------------------|-----------------|-------|-----|-----|-----|
| | | | 425 | 425RS | 575 | 655 | 755 |
| 407 | 1102525 | HEX NUT - 3/8 UNC | 4 | 4 | 4 | 4 | 4 |
| 408 | 1102535 | HEX NUT - 1/2 UNC | 28 | 36 | 20 | 56 | 56 |
| 409 | 1102540 | HEX NUT - 5/8 UNC | - | - | - | - | - |
| 410 | 1102545 | HEX NUT - 3/4 UNC | 2 | 2 | 2 | 2 | 2 |
| 411 | 1102555 | HEX NUT - 1 UNC | - | - | - | 4 | 4 |
| 412 | 1102516 | LOCKNUT - HEX HEAD - 1/4 UNC | 2 | 2 | 2 | 2 | 2 |
| 413 | 1102521 | LOCKNUT - HEX HEAD - 5/16 UNC | 6 | 6 | 6 | 6 | 6 |
| 414 | 1102536 | LOCKNUT - HEX HEAD - 3/8 UNC | 188 | 214 | 206 | 242 | 242 |
| 415 | 1102537 | LOCKNUT - HEX HEAD - 1/2 UNC | 40 | 80 | 78 | 80 | 80 |
| 416 | 1102539 | LOCKNUT - HEX HEAD - 5/8 UNC | 14 | 28 | 20 | - | - |
| 417 | 1102551 | LOCKNUT - HEX HEAD - 3/4 UNC | 5 | 5 | 5 | 10 | 10 |
| 418 | 1102538 | HEX STEEL LOCKNUT - 1/2 UNC | 57 | 81 | 97 | 105 | 105 |
| 419 | 1102542 | HEX STEEL LOCKNUT - 5/8 UNC | 68 | 84 | 88 | 100 | 100 |
| 420 | 1102587 | HEX STEEL LOCKNUT - 3/4 UNC | - | - | - | - | - |
| 421 | 1102556 | HEX STEEL LOCKNUT - 1 UNC | 1 | 1 | 1 | 1 | 1 |
| 422 | 1102528 | HEX JAM NUT - 1/2 UNC | 5 | 5 | 5 | 4 | 4 |
| 423 | 1102563 | HEX JAM NUT - 3/4 UNC | 2 | 2 | 2 | 2 | 2 |
| 424 | 1102590 | LOCKWASHER - 3/8 | 4 | 4 | 4 | 8 | 8 |
| 425 | 1102592 | LOCKWASHER - 1/2 | 36 | 52 | 38 | 52 | 52 |
| 426 | 1102596 | LOCKWASHER - 3/4 | 2 | 2 | 2 | 10 | 10 |
| 427 | 1102600 | LOCKWASHER - 1 | 6 | 6 | 6 | 10 | 10 |
| 428 | 1102607 | FLATWASHER - 1/4 | 2 | 2 | 2 | 2 | 2 |
| 429 | 1102608 | FLATWASHER - 5/16 | 4 | 4 | 4 | 4 | 4 |
| 430 | 1102609 | FLATWASHER - 3/8 | 158 | 184 | 188 | 224 | 224 |
| 431 | 1102611 | FLATWASHER - 1/2 | 62 | 102 | 72 | 102 | 102 |
| 432 | 1102613 | FLATWASHER - 5/8 | 16 | 16 | 16 | 20 | 20 |
| 433 | 1102615 | FLATWASHER - 3/4 | 2 | 2 | 2 | 20 | 20 |
| 434 | 1102617 | FLATWASHER - 7/8 | 2 | 2 | 2 | 2 | 2 |
| 435 | 1102619 | FLATWASHER - 1 | 6 | 6 | 6 | 10 | 10 |
| 436 | 1785085 | BEARING - ASSY -2 3/16 DIA -ECCENTRIC | 4 | 4 | 4 | 4 | 4 |
| 437 | 1785086 | RETAINER CAP - BEARING | 4 | 4 | 4 | 4 | 4 |
| 438 | 1785611 | BEATER - 425V - RIGHT | 1 | 1 | - | - | - |
| 439 | 1785616 | BEATER - 425V - LEFT | 1 | 1 | - | - | - |
| 440 | 1785661 | BEATER - 575V - RIGHT | - | - | 1 | - | - |
| 441 | 1785666 | BEATER - 575V - LEFT | - | - | 1 | - | - |
| 442 | 1785711 | BEATER - 755V - RIGHT | - | - | - | 1 | 1 |
| 443 | 1785716 | BEATER - 755V - LEFT | - | - | - | 1 | 1 |
| 444 | 1785625 | BLADE - BEATER - BOLT-ON - RIGHT | 12 | 12 | 16 | - | - |
| 445 | 1785626 | BLADE - BEATER - BOLT-ON - LEFT | 12 | 12 | 16 | - | - |
| 446 | 1785627 | BLADE - KICKER - BOLT-ON | 6 | 6 | 6 | - | - |
| 447 | 1785725 | BLADE - BEATER - BOLT-ON - RIGHT | - | - | - | 16 | 16 |
| 448 | 1785726 | BLADE - BEATER - BOLT-ON - LEFT | - | - | - | 16 | 16 |
| 449 | 1785727 | BLADE - KICKER - BOLT-ON | - | - | - | 16 | 16 |
| 450 | 1784727 | SPROCKET - IDLER - 20TH | 1 | 1 | 1 | 2 | 2 |
| 451 | 1785605 | BEATER HOUSING - VERTICAL | 1 | 1 | - | - | - |
| 451A | 1785655 | BEATER HOUSING - VERTICAL | - | - | 1 | - | - |
| 452 | 1785705 | BEATER HOUSING - VERTICAL | - | - | - | 1 | 1 |
| 453 | 1785604 | DEFLECTOR DOOR - 425 | 2 | 2 | - | - | - |
| 453A | 1785654 | DEFLECTOR DOOR - 575 | - | - | 2 | - | - |
| 454 | 1785704 | DEFLECTOR DOOR - 755 | - | - | - | 2 | 2 |

**LEON SILVER SPREADER
PARTS LIST**

| ITEM # | PART # | DESCRIPTION | QUANTITY / UNIT | | | | |
|--------|---------|---|-----------------|-------|-----|-----|-----|
| | | | 425 | 425RS | 575 | 655 | 755 |
| | 1174009 | DECAL - 'LEON' - BLACK (3 1/2 X 16 1/4) | 2 | 2 | 2 | 2 | 2 |
| | 1174306 | DECAL - 'LEON' - BLACK (2 X 9) | 2 | 2 | 2 | 2 | 2 |
| | 1784255 | DECAL - '755' - BLACK | - | - | - | - | 2 |
| | 1784855 | DECAL - '655' - BLACK | - | - | - | 2 | - |
| | 1784895 | DECAL - '575' - BLACK | - | - | 2 | - | - |
| | 1760442 | DECAL - '425' - BLACK | 2 | 2 | - | - | - |
| | 1760436 | DECAL - 'SILVERSPREADER' - BLACK | 3 | 3 | 3 | 3 | 3 |
| | 1760437 | DECAL - 'DANGER' - (KEEP AWAY) | 4 | 4 | 4 | 4 | 4 |
| | 1784767 | DECAL - 'DANGER' - (ROTATING BEATERS) | 2 | 2 | 2 | 2 | 2 |
| | 1784768 | DECAL - 'DANGER' - (STAND CLEAR) | 2 | 2 | 2 | 2 | 2 |
| | 1785050 | DECAL - 'DANGER' - (HITCH JACK) | 2 | 2 | 2 | 2 | 2 |
| | 1760470 | DECAL - 'WARNING' - (MISSING SHIELD) | 2 | 2 | 2 | 2 | 2 |
| | 1760440 | DECAL - 'WARNING' - (TRAVEL SAFELY) | 1 | 1 | 1 | 1 | 1 |
| | 1760444 | DECAL - 'WARNING' - (PTO CONNECTION) | 1 | 1 | 1 | 1 | 1 |
| | 1760441 | DECAL - 'CAUTION' - (NO RIDERS) | 1 | 1 | 1 | 1 | 1 |
| | 1760438 | DECAL - 'CAUTION' - 1000 RPM | 1 | 1 | 1 | 1 | 1 |
| | 1760439 | DECAL - 'CAUTION' - 540 RPM | 1 | 1 | 1 | 1 | 1 |
| | 1760643 | DECAL - 'IMPORTANT' - (OPERATION) | 1 | 1 | 1 | 1 | 1 |
| | 1784766 | DECAL - 'IMPORTANT' - (LBURICATE DAILY) | 1 | 1 | 1 | 1 | 1 |
| | 1785045 | DECAL - 'ATTENTION' - (BEATER SYNCH) | 1 | 1 | 1 | 1 | 1 |
| | 1785055 | DECAL - 'ATTENTION' - (FC VALVE) | 1 | 1 | 1 | 1 | 1 |
| | 1178055 | DECAL - 'LIFT POINTS' | 2 | 2 | 2 | 2 | 2 |
| | 1178886 | DECAL - REFLECTIVE - RED | 2 | 2 | 2 | 2 | 2 |
| | 1178887 | DECAL - REFLECTIVE - AMBER | 2 | 2 | 2 | 2 | 2 |
| | 1760642 | DECAL - 'DANGER' - (PTO SHIELD) | 1 | 1 | 1 | 1 | 1 |
| | 1760641 | DECAL - 'DANGER' - (ROTATING DRIVELINE) | 1 | 1 | 1 | 1 | 1 |
| | 1174012 | PLATE - SERIAL NUMBER | 1 | 1 | 1 | 1 | 1 |
| | 1178885 | SMV' EMBLEM | 1 | 1 | 1 | 1 | 1 |
| | | | | | | | |
| | | | | | | | |
| | | | | | | | |
| | | | | | | | |
| | | | | | | | |
| | | | | | | | |
| | | | | | | | |
| | | | | | | | |
| | | | | | | | |
| | | | | | | | |

